

JENSEN®



TRIAxIAL SERIES

if its too **LOUD** you're too **OLD**

INSTALLATION/OWNER'S MANUAL
Car Audio Speakers

PREPARATION

Safety Guidelines

Thank you for purchasing the Jensen JS Triaxial Series Car Speakers. Although Jensen has attempted to make sure all of the information contained within this manual is accurate, please be aware that any part of it is subject to change without notice.



CAUTION

The following instructions should be used as a general guideline only. If you are unsure about performing any of the procedures listed below, please consult a professional car audio installation center.

Before installation, please follow these guidelines:

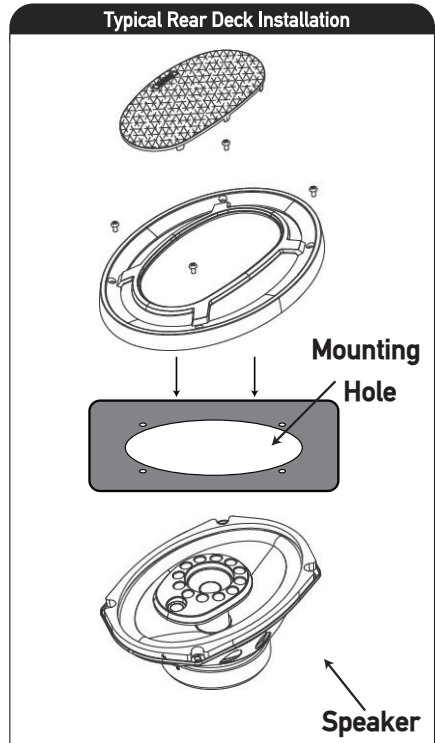
1. Be sure to carefully read and understand the instructions before attempting to install this product.
2. For safety, disconnect the negative terminal from the battery prior to beginning the installation.
3. To ensure an obstacle-free fit, check and double check mounting depth of the speakers against available depth, as well as the location of window mechanics, door handles, and window handles.
4. Use caution before you drill or cut! Be careful not to cut or drill into gas tanks, fuel lines, brake or hydraulic lines, vacuum lines or electrical wiring when working on any vehicle.
5. Never run speaker wires underneath your vehicle. Running speaker wires inside the vehicle provides the best protection from exhaust heat and environmental elements.
6. Avoid running wires over, near, or through sharp edged surfaces. Use rubber grommets to protect any wires routed through metal.
7. When running the speaker cable from the amplifier, avoid running it near sources of high current (i.e. wiring harnesses, battery cables).
8. If using provided grilles, be sure mounting location is sufficient distance from door and/or window handles.

INSTALLATION

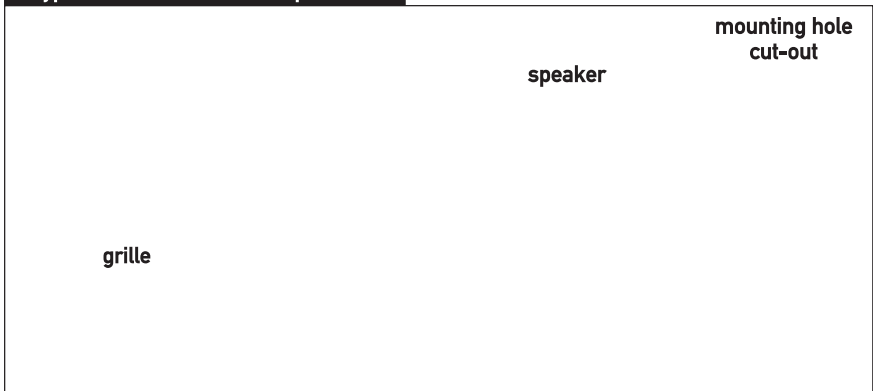
INSTALLATION

Mounting

1. Determine where the speakers will be mounted. Make sure the area is large enough for the speaker to mount evenly. Also ensure the mounting location is deep enough for the speaker to fit.
2. Refer to the specification chart to determine the proper diameter hole to cut for your speaker model.
3. If needed, use the grille as a template to mark the locations for the mounting screws. Drill the holes with a 3/32" bit.
4. Fit the speaker to the hole cut-out. Mount the speaker using the supplied screws. If the speaker grille is to be used, insert 4 screws into the grille insert holes and then mount the speaker.

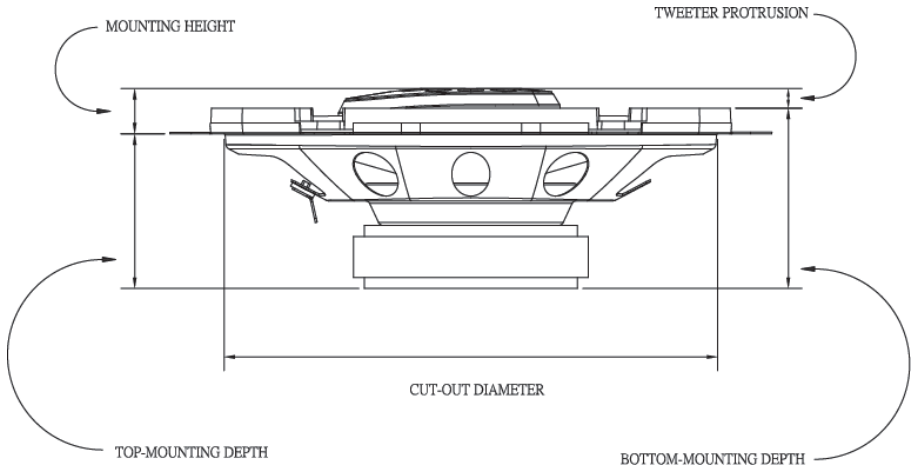


Typical Door Installation (Top-mount)



OPERATION

Specifications



The above diagram is to be used with the specifications matrix guide below.
Design and specifications subject to change without notice.

Model	Size	Type	Power Rating (RMS/Peak)	Sensitivity	Frequency Response	Cutout Diameter	Top Mounting Depth	Bottom Mounting Depth	Mounting Height	Tweeter Height
JS65T	6.5"	3-Way	50W/250W	87dB	70Hz-20kHz	5.59"	2.28"	2.44"	0.67"	0.51"
JS68T	5" x 7" 6" x 8"	3-Way	50W/250W	87dB	70Hz-20kHz	4.95" x 7.11"	2.22"	2.59"	0.65"	0.28"
JS69T	6" x 9"	3-Way	75W/375W	89dB	50Hz-20kHz	5.95" x 8.70"	3.11"	3.56"	0.87"	0.42"

SPECIFICATIONS & FEATURES

	JS65T	JS68T	JS69T
Speaker Size	6 1/2"	5" x7" / 6" x8"	6" x 9"
RMS / Peak Power	50W / 250W	50W / 250W	75W / 375W
Woofer Surround Type	Nitrile Butadiene Rubber	Nitrile Butadiene Rubber	Nitrile Butadiene Rubber
Woofer Material	IMPP	IMPP	IMPP
Midrange Size	35mm	35mm	58mm
Midrange Material	PEI	PEI	Mylar dome
Tweeter(s) Size	15mm	15mm	20mm
Tweeter(s) Type	Piezo	Piezo	Piezo
Voice Coil Type	TSV	TSV	TSV
Voice Coil Size	25mm	25mm	35mm
Sensitivity	87db	87db	89db
Frequency Response	70-20khz	70-20khz	50-20khz
Nominal Impedance	4ohms	4ohms	4ohms
Grilles Included	Yes	No	Yes



WARRANTY

Limited One Year (Or Two Year*) Warranty

This warranty gives you specific legal rights. You may also have other rights which vary from state to state. Namsung America Inc warrants this product to the original purchaser to be free from defects in material and workmanship for a period of one year from the date of the original purchase.

Namsung America Inc agrees, at our option, during the warranty period, to repair any defect in material or workmanship or to furnish an equal new, renewed or comparable product (whichever is deemed necessary) in exchange without charges, subject to verification of the defect or malfunction and proof of the date of purchase. Subsequent replacement products are warranted for the balance of the original warranty period.

Who is covered? This warranty is extended to the original retail purchaser for products purchased from an authorized JENSEN dealer and used in the U.S.A.

What is covered? This warranty covers all defects in material and workmanship in this product. The following are not covered: software, installation/removal costs, damage resulting from accident, misuse, abuse, neglect, product modification, improper installation, incorrect line voltage, unauthorized repair or failure to follow instructions supplied with the product, or damage occurring during return shipment of the product. Specific license conditions and copyright notices for the software can be found via www.jensenmobile.com.

Warranty Coverage

Limited 1-year warranty when purchased from an authorized Jensen dealer.

or

*Limited 2-year warranty when purchased from and professionally installed by an authorized Jensen dealer.(Proof of purchase and Installation required)

What to do?

1. Before you call for service, check the troubleshooting guide in your owner's manual. A slight adjustment of any custom controls may save you a service call.
2. If you require service during the warranty period, you must carefully pack the product (preferably in the original package) and ship it by prepaid transportation with a copy of the original receipt from the retailer to an authorized service center.
3. Please describe your problem in writing and include your name, a return UPS shipping address (P.O. Box not acceptable), and a daytime phone number with your shipment.
4. For more information and for the location of the nearest authorized service center please contact us by one of the following methods:
 - Call us toll-free at (888) 921-4088
 - E-mail us at cs@jensenmobile.com

Exclusion of Certain Damages: This warranty is exclusive and in lieu of any and all other warranties, expressed or implied, including without limitation the implied warranties of merchantability and fitness for a particular purpose and any obligation, liability, right, claim or remedy in contract or tort, whether or not arising from the company's negligence, actual or imputed. No person or representative is authorized to assume for the company any other liability in connection with the sale of this product. In no event shall the company be liable for indirect, incidental or consequential damages.

if its too
LOUD you're too
OLD



Customer Support

1-888-921-4088

(Monday-Friday, 9AM-5PM EST)

<https://www.jensenmobile.com>

Designed and Engineered in USA

JENSEN[®]

Namsung America Inc.
©2021 Namsung America
Inc. All rights reserved.

All rights reserved. No part of this publication may be reproduced, distributed, or transmitted in any form or by any means, including photocopying, recording, or other electronic or mechanical methods, without the prior written permission of NAMSUNG AMERICA INC.

NSC0921-V01