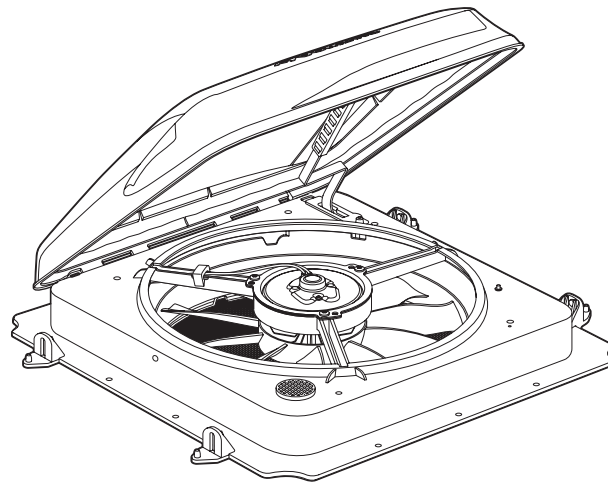




WINDOWS, DOORS & LIGHTS

DOMETIC FAN



1400, 1450, 4100

EN Dometic Fan
Installation and Operation Manual2

FR Ventilateur Dometic
Manuel d'installation et d'utilisation16

⚠ WARNING
Cancer and Reproductive Harm
www.P65Warnings.ca.gov



Service Center & Dealer Locations

Visit: www.dometic.com

Please read these instructions carefully and follow all instructions, guidelines, and warnings included in this product manual in order to ensure that you install, use, and maintain the product properly at all times. These instructions **MUST** stay with this product.

By using the product, you hereby confirm that you have read all instructions, guidelines, and warnings carefully and that you understand and agree to abide by the terms and conditions as set forth herein. You agree to use this product only for the intended purpose and application and in accordance with the instructions, guidelines, and warnings as set forth in this product manual as well as in accordance with all applicable laws and regulations. A failure to read and follow the instructions and warnings set forth herein may result in an injury to yourself and others, damage to your product, or damage to other property in the vicinity. This product manual, including the instructions, guidelines, and warnings, and related documentation, may be subject to changes and updates. For up-to-date product information, please visit www.dometic.com.

Contents

Contents 2

1 Explanation of Symbols and Safety Instructions 2

 1.1 Recognize Safety Information 2

 1.2 Understand Signal Words 2

 1.3 Supplemental Directives 3

 1.4 General Safety Messages 3

2 Intended Use 3

3 General Information 4

 3.1 Tools and Materials 4

 3.2 Fan Dimensions 4

 3.3 Fan Cut-out Dimensions 4

 3.4 Trim Garnish Dimensions 5

4 Specifications 6

5 Wiring Diagrams 6

6 Preinstallation 8

 6.1 Preparing the RV Roof or Wall Opening 8

 6.2 Assessing the Trim Garnish 9

 6.3 Connecting the Power 9

7 Installation 10

 7.1 Mounting the Fan 10

8 Operation 12

 8.1 Operating the Model 1400 or 1450 Fan ... 12

 8.2 Operating the Model 4100 Fan 12

 8.3 Directing Air Flow with a Fan Motor Reversing Switch 13

9 Maintenance 13

 9.1 Cleaning the Fan 14


10 Disposal 14

LIMITED TWO-YEAR WARRANTY 14

1 Explanation of Symbols and Safety Instructions


This manual has safety information and instructions to help you eliminate or reduce the risk of accidents and injuries.

1.1 Recognize Safety Information


 **This is the safety alert symbol.** It is used to alert you to potential physical injury hazards. Obey all safety messages that follow this symbol to avoid possible injury or death.

1.2 Understand Signal Words

A signal word will identify safety messages and property damage messages, and also will indicate the degree or level of hazard seriousness.

 **WARNING**
Indicates a hazardous situation that, if **not** avoided, could result in death or serious injury.

NOTICE: Used to address practices **not** related to physical injury.

 Indicates additional information that is not related to physical injury.

1.3 Supplemental Directives

To reduce the risk of accidents and injuries, please observe the following directives before proceeding to install or operate this appliance:

- Read and follow all safety information and instructions.
- Read and understand these instructions before installing or operating this product.
- The installation must comply with all applicable local or national codes, including the latest edition of the following standards:

U.S.A.

- U.L. 507, Electric Fans
- ANSI/NFPA70, National Electrical Code (NEC)
- ANSI/NFPA1192, Recreational Vehicles Code

Canada

- CSA C22.2 No. 113-15 (Fans and Ventilators)
- CSA C22.1, Parts I & II, Canadian Electrical Code
- CSA Z240 RV Series, Recreational Vehicles

1.4 General Safety Messages

⚠ WARNING: ELECTRICAL SHOCK, FIRE, AND/OR EXPLOSION HAZARD. Failure to obey the following warnings could result in death or serious injury:

- Use care when diagnosing and/or adjusting components on a powered unit.
- Use only Dometic replacement parts and components that are specifically approved for use with the appliance.
- Avoid improper installation, adjustment, alterations, service, or maintenance of the appliance. Service and maintenance **must** be done by a qualified service person only.
- Do **not** modify this product in any way. Modification can be extremely hazardous.

- This fan is equipped with a thermally-protected 3-speed switch and uses less than four amps on high. It does not have an internal fuse and therefore care **must** be taken to install it on a properly protected circuit.

NOTICE: Connecting your fan to 110 VAC power will damage the fan motor, render it inoperable, and may cause property damage.

NOTICE: Permanent magnet motors perform as designed on filtered DC current. Unfiltered DC current may create an irritating noise from the fan blade motors and may cause circuit boards to fail.

i This product is for use with 12 VDC only.

2 Intended Use

The Dometic Fan (hereinafter referred to as “fan” or “product”) is designed and intended for installation in a recreational vehicle (“RV”) during or after the RV manufacture to allow maximum airflow and additional protection from the elements when using a vented opening. This fan is only suitable for the intended purpose and application in accordance with these instructions.

This manual provides information that is necessary for proper installation and/or operation of the fan. Poor installation and/or improper operating or maintenance will result in unsatisfactory performance and a possible failure. The manufacturer accepts no liability for any injury or damage to the product resulting from:

- Incorrect assembly or connection, including excess voltage
- Incorrect maintenance or use of spare parts other than original spare parts provided by the manufacturer
- Alterations to the product without express permission from the manufacturer
- Use for purposes other than those described in this manual

Dometic reserves the right to change product appearance and product specifications.

3 General Information

i The images used in this document are for reference purposes only. Components and component locations may vary according to specific product models. Measurements may vary ±0.38 in. (10 mm).

3.1 Tools and Materials

Dometic recommends that the following tools and materials be used while installing the appliance.

Required Hardware (Installer Supplied)

Insulated Connectors

18 #8 x 1 in. PHPH T/S Zinc Screws

Minimum 16-gauge Stranded Copper Wire

- Black = Positive or Fused
- White = Negative or Ground

Optional Components and Kits¹

Ultra Breeze Vent Cover

Ultra Breeze Installation Kit

Trim Garnish

Pop N' Lock Screen (2-pack)

Clamp Garnish Screw Pack

- 4 #10 x 2 in. PHFH T/S Zinc Screws
- 4 #10 x 4 in. PHFH T/S Zinc Screws
- 4 #10 x 3 in. PHFH T/S Zinc Screws

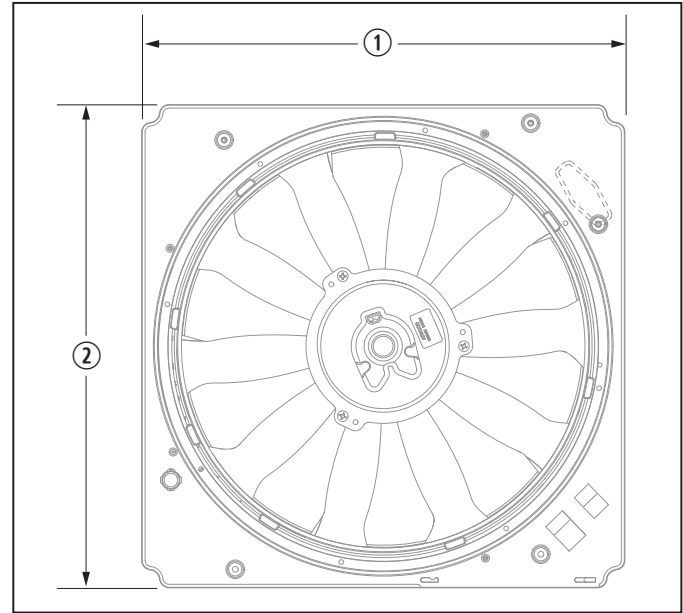
¹ Available as an accessory (not included).

Recommended Tools

Crimping Tool	Straight Edge
Marking Pen or Pencil	Stripper Tool
Measuring Tape	Utility Knife
Multimeter	Wire Cutter
Phillips Screwdriver/Bit	Waterproof Sealant or Lap Sealant ²
Putty Knife or Scraper	

² Do not use silicone or oil-based sealants.

3.2 Fan Dimensions

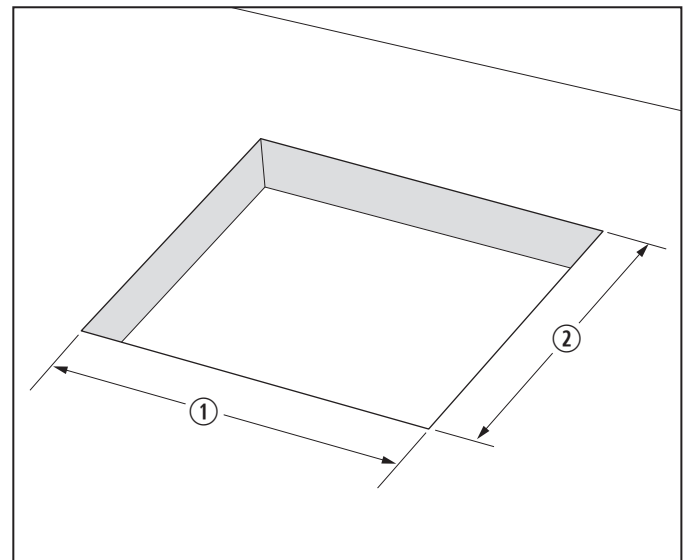


1 Fan Dimensions

① 14.0 in. (356 mm)

② 14.0 in. (356 mm)

3.3 Fan Cut-out Dimensions



2 Fan Cut-out Dimensions

① 14.5 in. (368 mm)

② 14.5 in. (368 mm)

3.4 Trim Garnish Dimensions

This section provides the cutting measurements for the interior trim garnish.

A 6.0 in. (152 mm) trim garnish for a standard, non-clamp installation is provided with your retail/aftermarket fan. Thinner roof or walls may require a different trim garnish and a different type of installation.

i To request a trim garnish for a thinner roof or clamp-fan installation, contact your local Dometic service partner or dealer or Dometic Customer Support.

i For non-clamping garnishes, use #6A x 3/4 in. (19 mm) PH flat head screws color-matched to the garnish.

3.4.1 Opening Depth: 0.9 to 1.9 in. (22 to 48 mm)

For a roof or wall thickness from 0.9 in. (22 mm) to 1.9 in. (48 mm), use a 1.9 in. (48 mm) trim garnish and adjust the size according to the following table.

Roof or Wall Thickness	Recommend Trim Garnish Size	Minimum Trim Garnish Size	Recommend Screw Size ¹	Maximum Screw Size ¹
0.9 in. (22 mm)	0.9 in. (22 mm)	0.5 in. (13 mm)	1-1/4 in. (32 mm)	1-7/8 in. (48 mm)
1.0 in. (25 mm)	1.0 in. (25 mm)	0.8 in. (19 mm)	1-1/2 in. (38 mm)	2 in. (51 mm)
1.3 in. (32 mm)	1.3 in. (32 mm)	1.0 in. (25 mm)	1-3/4 in. (45 mm)	2-1/4 in. (57 mm)
1.5 in. (38 mm)	1.5 in. (38 mm)	1.3 in. (32 mm)	2 in. (51 mm)	2-1/2 in. (64 mm)
1.8 in. (45 mm)	1.8 in. (45 mm)	1.5 in. (38 mm)	2-1/4 in. (57 mm)	2-3/4 in. (70 mm)
1.9 in. (48 mm)	1.9 in. (48 mm)	1.6 in. (41 mm)	2-1/4 in. (57 mm)	2-3/4 in. (70 mm)

¹These recommended screw sizes are for a clamp-fan installation only.

3.4.2 Opening Depth: 2.0 to 4.0 in. (51 to 102 mm)

For a roof or wall thickness from 2.0 in. (51 mm) to 4.0 in. (102 mm), use a 4.3 in. (108 mm) trim garnish and adjust the size according to the following table.

Roof or Wall Thickness	Recommend Trim Garnish Size	Minimum Trim Garnish Size	Recommend Screw Size ²	Maximum Screw Size ²
2.0 in. (51 mm)	2.0 in. (51 mm)	1.8 in. (45 mm)	2-1/2 in. (64 mm)	3 in. (76 mm)
2.3 in. (57 mm)	2.3 in. (57 mm)	2.0 in. (51 mm)	2-3/4 in. (70 mm)	3-1/4 in. (83 mm)
2.5 in. (64 mm)	2.5 in. (64 mm)	2.3 in. (57 mm)	3 in. (76 mm)	3-1/2 in. (89 mm)
2.8 in. (70 mm)	2.8 in. (70 mm)	2.5 in. (64 mm)	3-1/4 in. (83 mm)	3-3/4 in. (95 mm)
3.0 in. (76 mm)	3.0 in. (76 mm)	2.8 in. (70 mm)	3-1/2 in. (89 mm)	4 in. (102 mm)
3.3 in. (83 mm)	3.3 in. (83 mm)	3.0 in. (76 mm)	3-3/4 in. (95 mm)	4-1/4 in. (108 mm)
3.5 in. (89 mm)	3.5 in. (89 mm)	3.3 in. (83 mm)	4 in. (102 mm)	4-1/2 in. (114 mm)
3.8 in. (95 mm)	3.8 in. (95 mm)	3.5 in. (89 mm)	4-1/4 in. (108 mm)	4-3/4 in. (121 mm)
4.0 in. (102 mm)	4.0 in. (102 mm)	3.8 in. (95 mm)	4-1/2 in. (114 mm)	5 in. (127 mm)

²These recommended screw sizes are for a clamp-fan installation only.

3.4.3 Opening Depth: 4.0 to 6.0 in. (102 to 152 mm)

For a roof or wall thickness from 4.0 in. (102 mm) to 6.0 in. (152 mm), use the 6.0 in. (152 mm) trim garnish included with your fan and adjust the size according to the table below. Use #6A x 3/4 in. (19 mm) PH flat head screws color-matched to the garnish.

Roof or Wall Thickness	Recommend Trim Garnish Size	Minimum Trim Garnish Size
4.0 in. (102 mm)	4.3 in. (108 mm)	4.0 in. (102 mm)
4.3 in. (108 mm)	4.5 in. (114 mm)	4.3 in. (108 mm)
4.5 in. (114 mm)	4.8 in. (121 mm)	4.5 in. (114 mm)
5.0 in. (127 mm)	5.3 in. (127 mm)	5.0 in. (127 mm)
5.3 in. (135 mm)	5.5 in. (140 mm)	5.0 in. (127 mm)
5.5 in. (140 mm)	5.7 in. (145 mm)	5.5 in. (140 mm)
5.8 in. (146 mm)	6.0 in. (152 mm)	5.8 in. (146 mm)
6.0 in. (152 mm)	6.0 in. ³ (152 mm)	5.8 in. (146 mm)

³ The 6.0 in. trim garnish is just long enough to provide coverage to the leading edge of the screen assembly.

4 Specifications

This section provides the operational specifications for the fan.

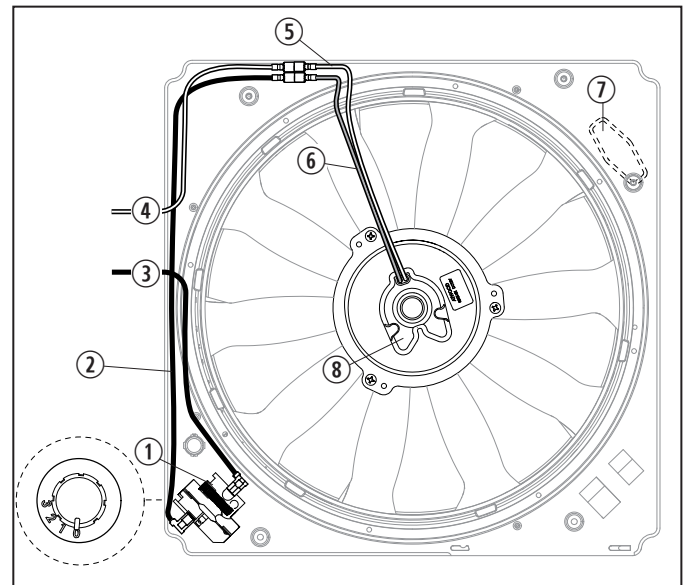
Weight	10.0 lbs (4.5 kg)
Power Consumption	36 W
Output	<3 A
Fan Height	4.0 in. (101 mm) standard

5 Wiring Diagrams

⚠ WARNING: ELECTRIC SHOCK HAZARD.

Turn the power off before performing any electrical installation or maintenance activities. Failure to obey this warning could result in death or serious injury.

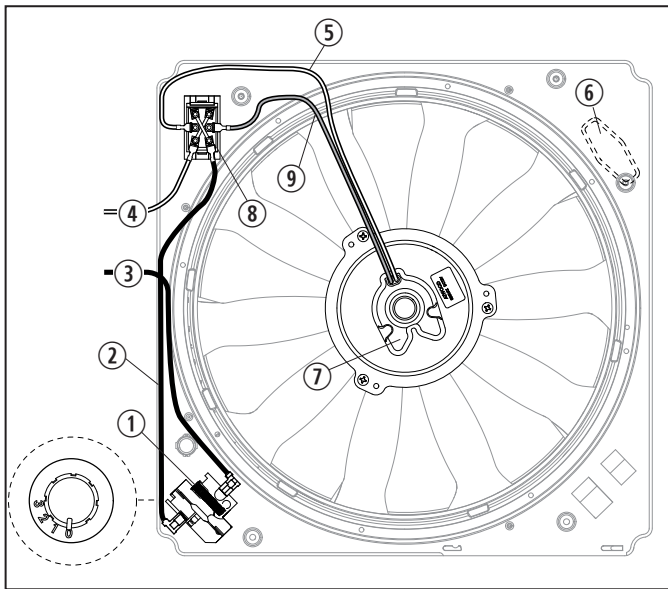
This section provides the 12 VDC wiring connections for the fan according to the model.



3 Model 1400 Wiring Diagram

- ① 3-speed Switch
- ② Black (+)
- ③ Supply Power
- ④ Supply Ground
- ⑤ Black (Ground)
- ⑥ Red (+)
- ⑦ Manual Lift Knob¹
- ⑧ 12 VDC Fan Motor

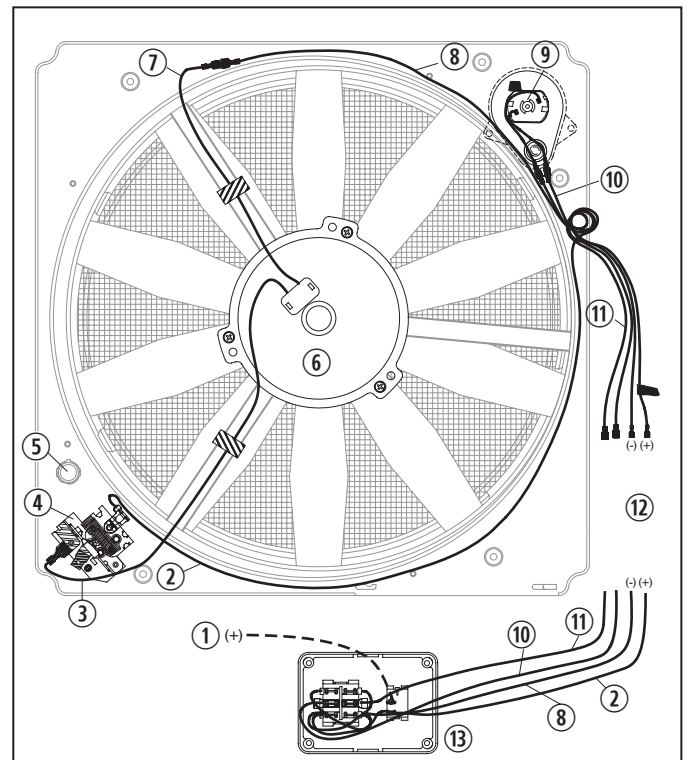
¹ Only on Models 1400 and 1450



4 Model 1450 Wiring Diagram

- ① 3-speed Switch
- ② Black (+)
- ③ Supply Power
- ④ Supply Ground
- ⑤ Black (Ground)
- ⑥ Manual Lift Knob²
- ⑦ 12 VDC Fan Motor
- ⑧ Reverse Switch
- ⑨ Red (+)

² Only on Models 1400 and 1450



5 Model 4100 Wiring Diagram

- ① #18 Black (+) Customer Supplied Lead for Wall Control
- ② #16 Black (+) 12 VDC from Wall Control to 3-speed B Terminal
- ③ #16 Red (+) Fan Motor to 3-speed Switch M Terminal
- ④ 3-speed Switch
- ⑤ Switch Plug
- ⑥ 12 VDC Fan Motor
- ⑦ #16 Black (Ground) Fan to Black Fan Motor (-)
- ⑧ #16 White (-) From Wall Control to White Fan (-)
- ⑨ 17 RPM Lift Motor
- ⑩ #18 Red Wall Control to Black 17 RPM Lift Motor
- ⑪ #18 Blue Wall Control to Red 17 RPM Lift Motor
- ⑫ Location for Customer-Supplied Wire Harness
- ⑬ Wall Switch Wiring

6 Preinstallation

⚠ WARNING: FIRE OR ELECTRICAL SHOCK HAZARD. Failure to obey these warnings could result in death or serious injury.

- Shut off the gas supply, disconnect the 115 VAC power from the RV, and disconnect the positive (+) 12 VDC terminal from the supply battery before drilling or cutting into the RV.
- Make sure there are no obstacles such as wires or pipes inside the RV's roof or exterior wall.
- Provide grounding in compliance with all applicable electrical codes.
- Read this entire section before beginning the installation.

This section describes the preparations to complete prior to installing the fan.

6.1 Preparing the RV Roof or Wall Opening

This section describes how to prepare the RV roof or wall opening.

6.1.1 Using an Existing Fan Opening

i If the RV does not have an existing fan, skip to "Making a New Opening" on page 8.

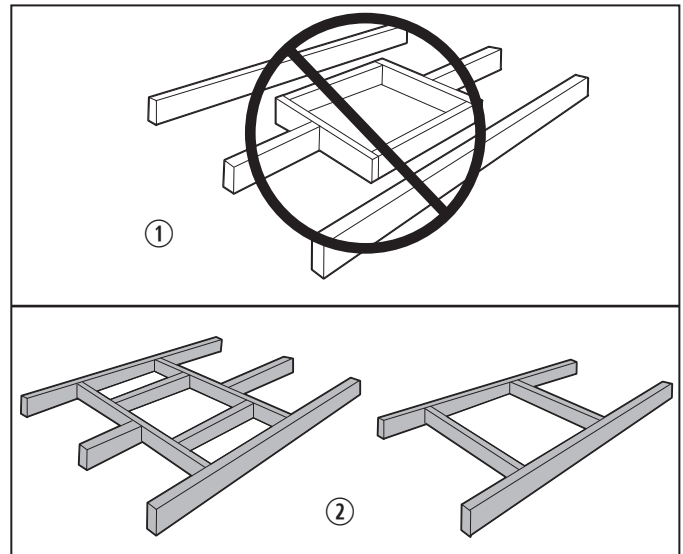
1. Shut off the gas supply, disconnect the 115 VAC power from the RV, and disconnect the positive (+) 12 VDC terminal from the supply battery.
2. Unscrew and remove the existing fan.
3. Remove any caulking compound around the roof or wall opening. A clean surface offers a better seal. Consult your RV owner's manual for cleaning recommendations.
4. Use sealant to seal any screw holes or seams.
5. Measure the opening (review "Fan Cut-out Dimensions" on page 4). If the roof opening is within specifications, skip to "Assessing the Trim Garnish" on page 9.
6. If the opening needs to be resized, proceed to "Making a New Opening" on page 8:

- If the opening exceeds 14.4 x 14.4 in. (366 x 366 mm), it will be necessary to reduce the size of the opening.
- If the opening is less than 14.1 x 14.1 in. (358 x 358 mm), it will be necessary to enlarge the opening.

6.1.2 Making a New Opening

i If the roof or wall has an existing fan opening, see "Using an Existing Fan Opening" on page 8.

1. Carefully mark the required opening.



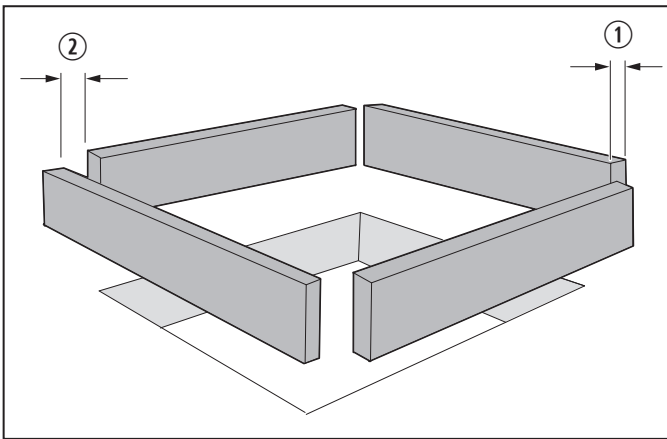
6 Structural Integrity for the Roof

① Incorrect installation ② Correct installation

2. Make sure the new opening does not compromise the structural integrity of the roof or wall.
 - Do not cut the roof structure, rafters, or wall studs.
 - The rafters should remain supported by a cross beam.
 - The opening should be between the rafters or wall studs.
3. Carefully cut the required opening.

6.1.3 Framing the Roof or Wall Opening

If the roof is corrugated or not level, use this section to create a level platform or contact a qualified service professional.



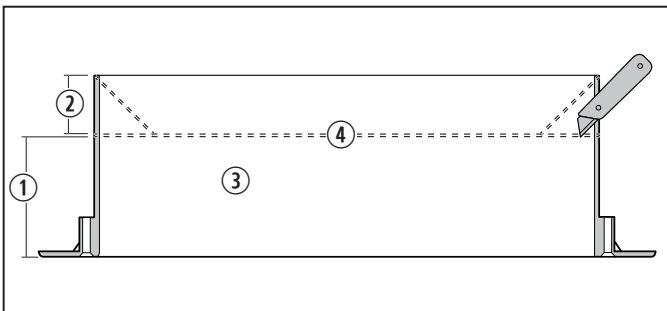
7 Frame for a Roof Opening

- ① 0.8 in. (25 mm)
- ② 0.3 in. (6 mm) Opening for the Power Supply Wiring

1. Build a frame for the fan opening to provide a level platform for securing the mounting flange to the roof.
2. Leave access for the power supply wiring to pass into the interior through the frame.

6.2 Assessing the Trim Garnish

1. Determine the length, width, and thickness or depth of the roof or wall opening where the new fan will be installed.
2. Confirm you have the correct trim garnish for the depth of the opening. See "Trim Garnish Dimensions" on page 5.



8 Resizing the Trim Garnish

- ① Required Trim Garnish Height
- ② Excess Trim Garnish to Remove
- ③ Garnish
- ④ Score Lines

3. Use a utility knife to adjust the size of the trim garnish to the correct height, if necessary.

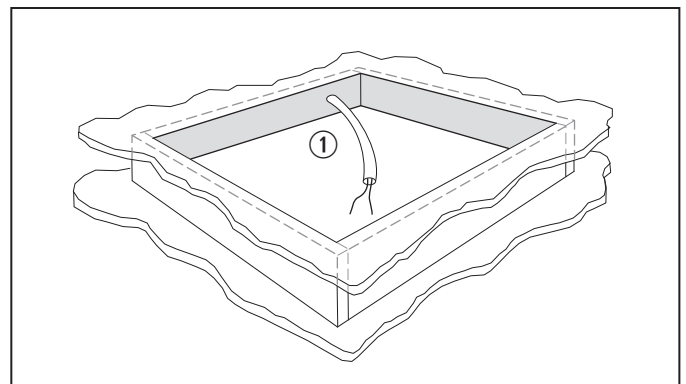
- a. Use a straight edge and a pen to mark horizontally around all four sides from the top edge. Score the marked lines.
- b. Cut from the top edge of the corners at a 45 degree angle down to the score line, then carefully break the excess plastic away from the trim garnish.

6.3 Connecting the Power

i If you are replacing an existing fan, use the existing wiring only if it meets the Recreation Vehicle Industry Association's 16 AWG wiring and location requirements.

This section describes how to connect the fan to a 12 VDC power source.

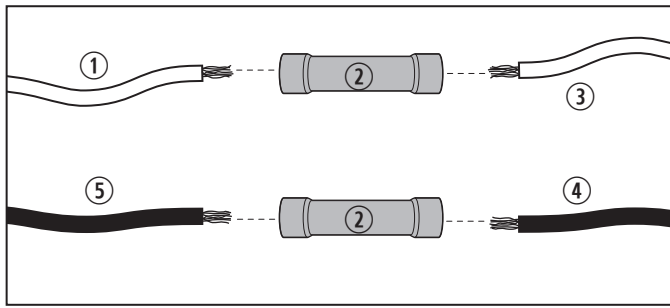
1. Locate the nearest 12 VDC power source wiring.
2. To avoid blowing the fuse, test the power source wiring for polarity.
 - a. Turn on the 12 VDC power or battery.
 - b. Using a multimeter, touch the red lead to the positive source. At the same time, touch the black lead to the neutral or negative wire.
 - A correct polarity will display +12 or more volts.
 - If incorrect, the multimeter will display -12 volts or more.
 - c. Turn off the 12 VDC power or battery.



9 Power Supply at the Roof Opening

- ① 6 in. (152 mm) minimum

3. Route the power source wiring to the roof or wall opening. Add an additional 15 in. (381 mm) of wire, to ensure an easy connection to the fan.



10 Connect the Fan Wiring to the Power Source Wiring

- | | |
|--|--|
| ① White Fan Wire
(Neutral or Ground) | ④ Power Source Wiring
(Positive or Fused) |
| ② Butt-slice Connector | ⑤ Black Fan Wire
(Positive or Fused) |
| ③ Power Source Wiring
(Neutral or Ground) | |

4. Use the connectors to connect the fan's:
 - a. black wire to the positive 12 VDC power source wire.
 - b. white wire to the neutral or ground.
5. Crimp the connector ends to secure the connection.

7 Installation

⚠ WARNING: ELECTRIC SHOCK HAZARD.
Turn the power off before performing any electrical installation or maintenance activities. Failure to obey this warning could result in death or serious injury.

NOTICE: Always use sealant on (clean) parts and surfaces where wiring or fasteners enter the RV's walls, roof, or floor. Otherwise water damage could occur.

i If using sealant for rubber roofs, use an EPDM-compatible roof sealant.

This section provides information on mounting the fan, installing the garnish, and connecting the power.

7.1 Mounting the Fan

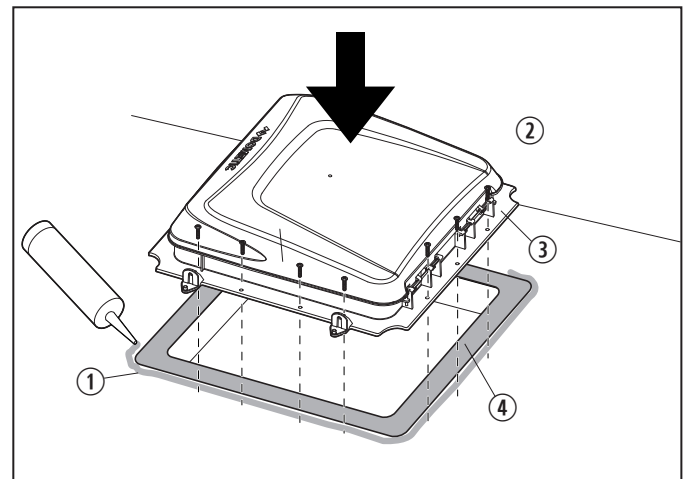
This section describes the two installation options for your fan.

- A vent mount installation is the standard, recommended method for most fans. See "Vent Mount" on page 10.

- A clamp-fan mount is recommended only for a roof or wall that is less than 4 in. (102 mm) thick and without a solid substrate to support a rooftop screw installation. See "Clamp-Fan Mount" on page 11.
- Confirm the height of the trim garnish is correct for the thickness of your roof or wall. See "Trim Garnish Dimensions" on page 5.

7.1.1 Vent Mount

This section describes how to install a fan using the vent mount method.



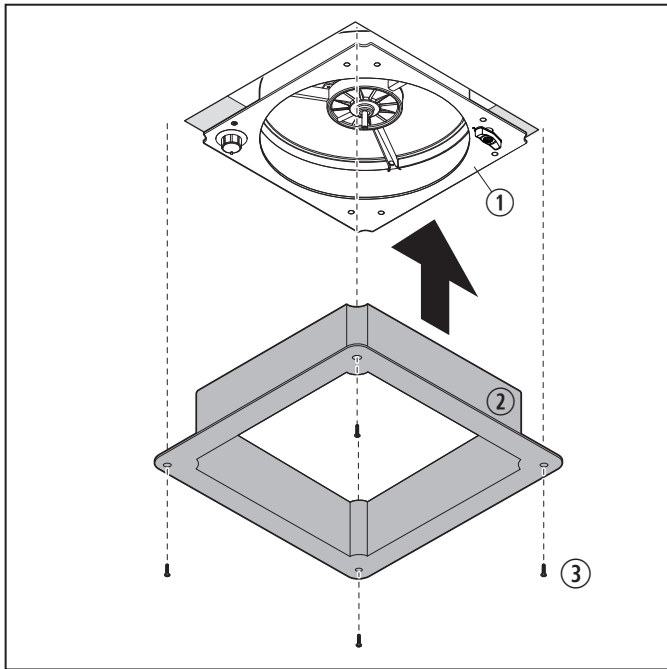
11 Positioning the Fan

- | | |
|-----------------------------------|----------|
| ① Sealant | ③ Flange |
| ② #8 x 1 in. PHPH T/S Zinc Screws | ④ Gasket |

1. Line the outside of the opening with sealant, or place a gasket on the opening and apply the sealant around the outer edge of the gasket.
 - i** No sealant should be placed on the top or bottom of the gasket.
2. Position the fan over the opening, making sure the sealant and/or gasket is "sandwiched" between the bottom of the mounting flange and the roof opening.
 - When positioning the fan on the roof, the lid hinge should be closest to and aligned with the front of the RV.
 - If positioning the fan on the side of the RV (vertically), the lid hinge should be closest to and parallel with the roof line.
3. Use the screws to secure the fan to the RV.

i Torque all screws equally and do not over tighten.

4. Apply sealant over the screw heads and at the mounting flange where it meets the roof or side.



12 Securing the Trim Garnish for a Vent Mount

- ① Fan
- ② Trim Garnish
- ③ Screws

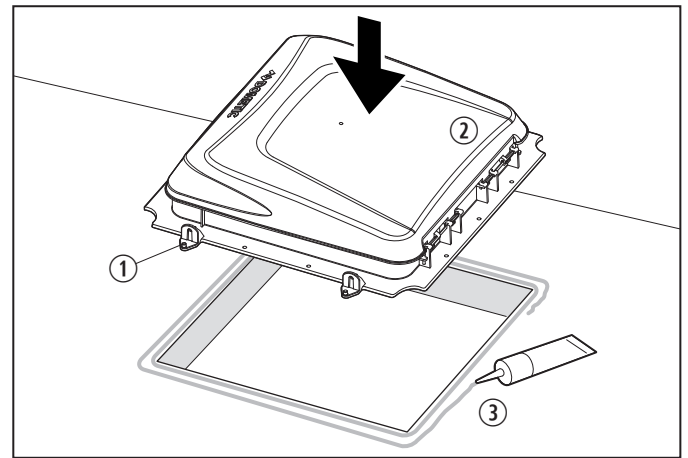
5. From the interior of the RV, secure the garnish to the roof using the appropriate screw for the garnish size. See "Trim Garnish Dimensions" on page 5.

i Torque all screws equally and do not over-tighten.

7.1.2 Clamp-Fan Mount

This section describes how to install a fan using the clamp-fan method.

Some fans are available in a "clamp fan" configuration for roof or wall openings with a thickness less than 4 in. (102 mm). The shorter trim garnish for a clamp-fan mount is designed to secure the fan with screws into the fan base from inside the RV and to trim the cut-out.



13 Clamp-Fan Mounting

- ① Flange
- ② Fan Hinge
- ③ Sealant

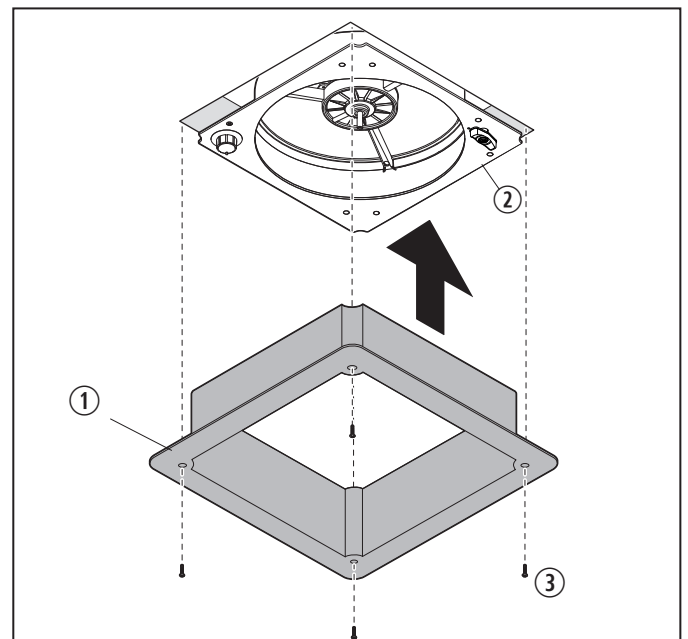
1. Run a double-bead of sealant around the outside of the roof or wall opening.

i Do not use putty tape, butyl, or gaskets for clamp-fan mounts.

2. Position the fan on the sealant and press down.

3. Apply sealant over the screw holes and at the mounting flange where it meets the roof or side.

i Failure to seal the screw holes and flange could lead to water damage.



14 Securing the Trim Garnish for a Clamp-Fan Mount

- ① Trim Garnish
- ② Fan Base
- ③ Screws

4. From the interior of the RV, secure the garnish to the roof using the appropriate screw for the garnish size. See “Trim Garnish Dimensions” on page 5.

i Torque all screws equally and do not over-tighten.

8 Operation

NOTICE: Do **not** leave the dome open and unattended for extended periods of time. High winds or other unusual conditions may result in leakage and/or serious damage. Use of the fan in inclement weather or other adverse conditions could cause property damage.

i The source of airflow is determined by the window(s) or door(s) opened. For best results, close all roof vents and partially open the window or door that is the greatest distance from the fan.

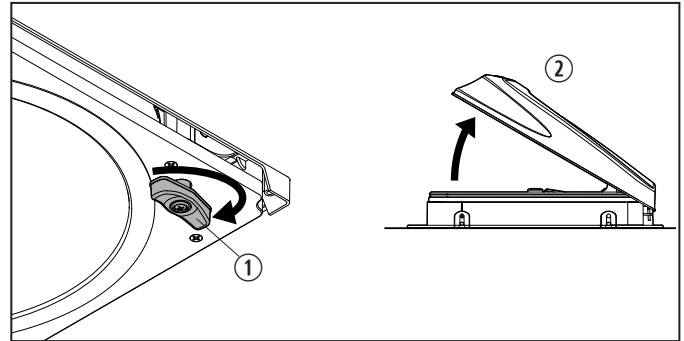
This section contains information about operating the fan according to the model.

Fan Controls

Model	Control	Function
All	Fan Speed 0	Turns the fan motor off
All	Fan Speed 1	Low fan speed
All	Fan Speed 2	Medium fan speed
All	Fan Speed 3	High fan speed
4100	RAISE	Opens the dome
4100	LOWER	Closes the dome
4100	FAN ON	Turns the fan motor on
4100	FAN OFF	Turns the fan motor off
1450	IN ¹	Draws air into the RV from the roof area and effectively pressurizes the RV if all windows, doors, and other vents are closed.
All	OUT ¹	(Exhaust mode) Pulls fresh air through a slightly open window or door while expelling hot, stale, dusty air out to the roof area.

¹ Available only if a reverse switch is installed..

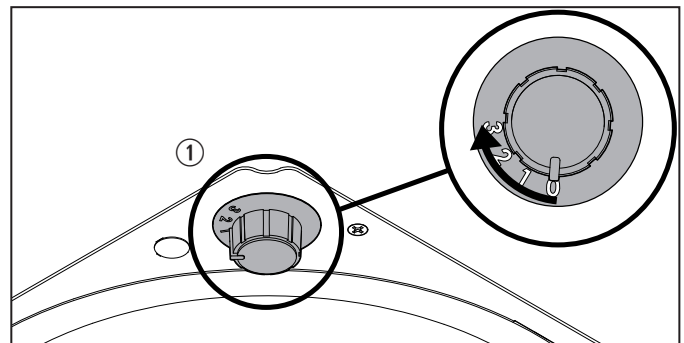
8.1 Operating the Model 1400 or 1450 Fan



15 Opening the Dome

- ① Knob
- ② Dome

1. Open a window or door to allow air to flow.
2. Turn the knob to open the dome.



16 Fan Speed Selection

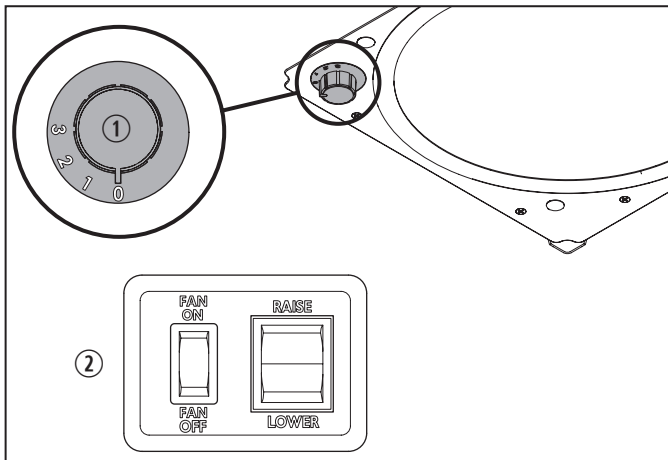
- ① Fan Speed Switch

3. Turn the fan on by turning the fan speed switch to the desired speed. See “Fan Controls” on page 12.

i Changing the fan speed switch to 0 turns off the fan.

8.2 Operating the Model 4100 Fan

NOTICE: Continuing to press the RAISE or LOWER switch after the dome is fully-opened or fully-closed will cause damage to the lift system.

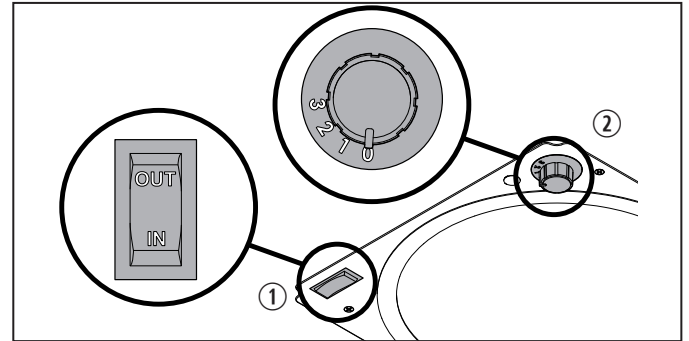


17 Model 4100 Controls

- ① Fan Speed Switch
- ② Wall Control

1. Open a window or door to allow air to flow.
2. Select a speed on the fan speed switch. See “Fan Controls” on page 12.
3. If the fan is equipped with a fan motor-reversing switch, select either OUT or IN. See “Directing Air Flow with a Fan Motor Reversing Switch” on page 13.
 - i** As the dome opens and reaches approximately 4 in. (102 mm), the fan turns on to the selected speed.
4. On the wall control, press the RAISE or LOWER switch until the dome is in the desired position, then release the switch.
 - i** At fully-opened or fully-closed, the dome lift motor will stall; release the switch pad **immediately**.
5. Turn the fan on by pressing the FAN ON switch.
 - i** Changing the fan speed switch to 0 or pressing the FAN OFF switch turns off the fan.

8.3 Directing Air Flow with a Fan Motor Reversing Switch



18 Fan Speed Selector with Reverse Switch

- ① Fan Motor Reversing Switch
- ② Fan Speed Switch

1. To reverse the fan motor while the system is in operation, turn the fan speed switch to 0 and wait for the fan blade to stop completely.
2. Press the IN or OUT switch and restart the fan at the desired speed.
 - i** Changing the fan speed switch to 0 or placing the fan motor reversing switch in the center position turns off the fan.

9 Maintenance

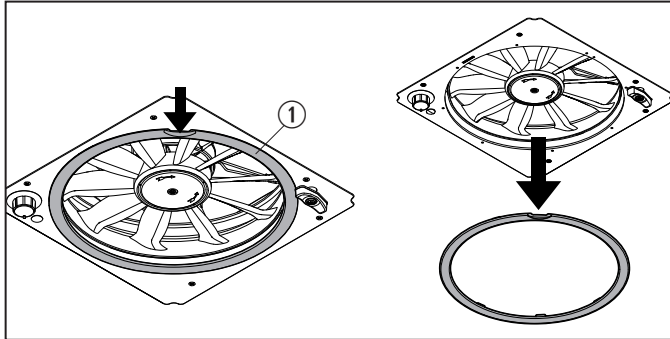
⚠ WARNING: ELECTRICAL SHOCK, FIRE, AND/OR EXPLOSION HAZARD.

Always disconnect the unit from power before cleaning and/or servicing. Maintenance must be done by a qualified service person only. Failure to obey this warning could result in death or serious injury.

The maintenance and cleaning instructions provided in this section should be performed at the intervals indicated, or as needed, depending on the use of the appliance. Failure to properly maintain the appliance may void the warranty and could result in unsafe operation. Preventive maintenance is not covered under the warranty.

9.1 Cleaning the Fan

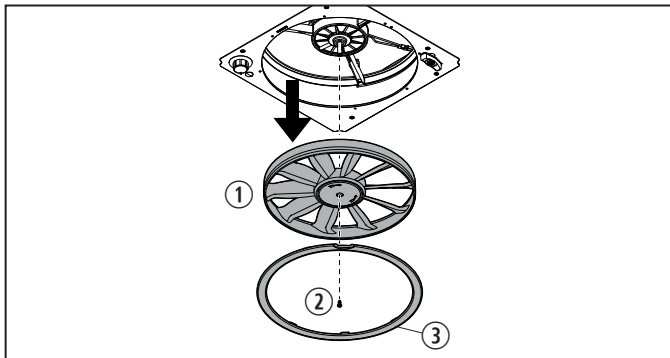
- i** Clean with window cleaner or a non-abrasive dish soap and warm water. For additional protection from insects and debris, a Pop N' Lock screen can be applied to the top side of the fan base. The Pop N' Lock and fan blade are top-rack dishwasher safe.



19 Removing the Pop N' Lock

- ① Pop N' Lock

1. Clean the Pop N' Lock and fan blade.



20 Disassembling the Fan

- ① Fan Blade ③ Pop N' Lock
② Screw

2. Remove the screw holding the fan blade.
3. Reverse these steps to reassemble the fan.

10 Disposal



Place the packaging material in the appropriate recycling waste bins, whenever possible. Consult a local recycling center or specialist dealer for details about how to dispose of the product in accordance with all applicable national and local regulations.

LIMITED TWO-YEAR WARRANTY

LIMITED TWO-YEAR WARRANTY AVAILABLE AT DOMETIC.COM/EN-US/TERMS-AND-CONDITIONS-CONSUMER/WARRANTY.

IF YOU HAVE QUESTIONS, OR TO OBTAIN A COPY OF THE LIMITED WARRANTY FREE OF CHARGE, CONTACT:

DOMETIC CORPORATION
CUSTOMER SUPPORT CENTER
5155 VERDANT DRIVE
ELKHART, INDIANA 46516
1-800-544-4881

Liste des centres de service et des revendeurs

Consultez : www.dometic.com

Veillez lire attentivement ces instructions et suivre tous les avertissements, instructions et directives inclus dans ce manuel du produit afin de vous assurer que vous installez, utilisez et entretenez le produit correctement à tout moment. Ces instructions DOIVENT être conservées avec ce produit.

En utilisant le produit, vous confirmez par la présente que vous avez lu attentivement tous les avertissements, instructions et directives et que vous comprenez et acceptez de respecter les conditions générales énoncées dans le présent document. Vous acceptez d'utiliser ce produit uniquement pour l'usage et l'application prévus et conformément aux instructions, directives et avertissements figurant dans ce manuel du produit ainsi qu'en accord avec toutes les lois et réglementations applicables. Le fait de ne pas lire et de ne pas suivre les instructions et les avertissements énoncés dans le présent document peut entraîner des blessures pour vous-même et pour d'autres personnes, des dommages à votre produit ou des dommages à d'autres biens situés à proximité. Ce manuel du produit, y compris les instructions, les directives et les avertissements, ainsi que la documentation connexe, peut faire l'objet de modifications et de mises à jour. Pour obtenir des informations à jour sur les produits, veuillez consulter www.dometic.com.

Contenu

Explication des symboles et consignes

de sécurité	16
1.1 Reconnaître les consignes de sécurité	16
1.2 Comprendre les mots-indicateurs	16
1.3 Directives supplémentaires	17
1.4 Messages de sécurité d'ordre général	17
2 Indications	18
3 Information générale	18
3.1 Outils et matériel	18
3.2 Dimensions du ventilateur	18
3.3 Dimensions de la découpe du ventilateur ..	19
3.4 Dimensions de la garniture	19
4 Caractéristiques techniques	20
5 Diagrammes de câblage	21
6 Avant l'installation	22
6.1 Préparation de l'ouverture du toit ou du mur du VR	22
6.2 Évaluation de la garniture	23

6.3 Branchement du ventilateur sur l'alimentation	24
---	----

7 Montage	25
7.1 Installation du ventilateur	25
8 Fonctionnement	27
8.1 Utilisation des modèles de ventilateur 1400 ou 1450	28
8.2 Mode l'emploi du modèle de ventilateur 4100	28
8.3 Réglage de la direction du débit d'air à l'aide de l'interrupteur d'inversion du moteur du ventilateur	29
9 Maintenance	29
9.1 Nettoyage du ventilateur	29
10 Élimination	30
GARANTIE LIMITÉE DE DEUX ANS	30

1 Explication des symboles et consignes de sécurité

Ce manuel contient des consignes de sécurité et des instructions pour aider l'utilisateur à éliminer ou réduire le risque d'accidents et de blessures.

1.1 Reconnaître les consignes de sécurité



C'est le symbole d'alerte à la sécurité.

Il signale des risques de blessures physiques. Obéir à tous les messages de sécurité qui suivent ce symbole pour éviter les risques de blessures ou de mort.


1.2 Comprendre les mots-indicateurs

Un mot-indicateur identifie les messages de sécurité et les messages liés aux dégâts matériels, et signale aussi le degré ou niveau de gravité du danger.

AVERTISSEMENT

Indique une situation dangereuse qui, si elle n'est **pas** évitée, peut causer la mort ou des blessures graves.

AVIS : Utilisé pour signaler des pratiques **non** liées à une blessure physique.

 Fournit des renseignements additionnels sans rapport avec des blessures physiques.

1.3 Directives supplémentaires

Pour réduire le risque d'accidents et de blessures, observer les directives suivantes avant de continuer à installer ou utiliser cet appareil :

- Lire et suivre toutes les consignes de sécurité et les instructions.
- Lire et comprendre ces instructions avant d'installer ou d'utiliser ce produit.
- L'installation doit se conformer à tous les codes locaux ou nationaux applicables, y compris la toute dernière édition des normes suivantes :


États-Unis

- U.L. 507, Ventilateurs électriques
- ANSI/NFPA 70, Code national de l'électricité (CNE)
- ANSI/NFPA 1192, Code des véhicules récréatifs

Canada

- CSA C22.2 N°. 113-15 (Ventilateurs)
- CSA C22.1, Parties I et II, Code canadien de l'électricité
- CSA Z240 RV Series, véhicules récréatifs


1.4 Messages de sécurité d'ordre général

 **AVERTISSEMENT : RISQUE DE DÉCHARGE ÉLECTRIQUE, DE DÉPART DE FEU ET/OU D'EXPLOSION. Le non-respect de ces avertissements pourrait entraîner de graves blessures, voire la mort :**

- Faire attention en diagnostiquant et/ou en ajustant les composants d'un appareil électrique.
- Utiliser uniquement des pièces et composants de rechange Dometic spécifiquement approuvés pour une utilisation avec cet appareil.
- Éviter l'installation, le réglage, les altérations, les réparations ou la maintenance incorrects de l'appareil. Les réparations et la maintenance **doivent** être confiées à un agent technique qualifié.
- **Ne pas** modifier ce produit d'une quelconque manière. Une modification peut être extrêmement dangereuse.
- Ce ventilateur est équipé d'un sélecteur à 3 vitesses protégé des surchauffes et qui utilise moins de 4 ampères à vitesse élevée (high). Il n'est pas muni d'un fusible interne, donc une attention particulière **doit** être portée pour l'installer sur un circuit adéquatement protégé.

AVIS : Le raccordement du ventilateur à l'alimentation 110 V c.a. endommagera le moteur du ventilateur, le rendra inutilisable et peut entraîner des dommages matériels.

AVIS : Les moteurs à aimants permanents sont destinés à fonctionner avec un courant continu filtré. Un courant continu non filtré peut créer des bruits irritants provenant des moteurs de ventilateur et peut endommager les circuits imprimés.

 Ce produit utilise seulement du 12 V c.c.

2 Indications

Le ventilateur Dometic (aussi appelé le « le ventilateur » ou « le produit ») est conçu pour être installé dans un véhicule récréatif (« VR ») pendant ou après la fabrication du VR pour permettre un débit d'air maximal et une protection supplémentaires contre les éléments lors de l'utilisation d'ouvertures ventilées. Ce ventilateur est uniquement adapté à l'usage et à l'application prévus conformément aux présentes instructions.

Ce manuel fournit les informations nécessaires à une installation et/ou un fonctionnement corrects du ventilateur. Une mauvaise installation et/ou un mauvais fonctionnement ou entretien entraînera des performances insatisfaisantes et possiblement, une panne. Le fabricant décline toute responsabilité en cas de blessure ou de dommage au produit résultant de :

- Assemblage ou connexion incorrects, y compris la surtension
- Entretien ou utilisation incorrects de pièces détachées autres que les pièces détachées d'origine fournies par le fabricant
- Altération du produit sans la permission expresse du fabricant
- Utilisation à d'autres fins que celles décrites dans ce manuel

Dometic se réserve le droit de modifier l'apparence et les spécifications des produits.

3 Information générale

i Les images utilisées dans ce document sont uniquement fournies à titre de référence. Les composants et leur emplacement peuvent varier selon le modèle. Les mesures peuvent varier de $\pm 0,38$ po (10 mm).

3.1 Outils et matériel

Dometic recommande l'utilisation des outils et du matériel suivants pour l'installation du produit.

Quincaillerie requise (fournie par l'installateur)

Connecteurs isolés

18 vis de zinc PHP n° 8 x 1 po (25 mm)

Fil de cuivre multibrin calibre 16 min.

- Noir = Positif ou à fusible
- Blanc = Négatif ou mise à terre

Composants et ensembles optionnels¹

Couvercle d'évent Ultra Breeze

Ensemble d'installation Ultra Breeze

Garniture de finition

Écran Pop N' Lock (paquet de 2)

Paquet de vis pour garniture à collier de serrage

- 4 vis de zinc PHFH T/S n° 10 x 2 po (51 mm)
- 4 vis de zinc PHFH T/S n° 10 x 4 po (102 mm)
- 4 vis de zinc PHFH T/S n° 10 x 3 po (76 mm)

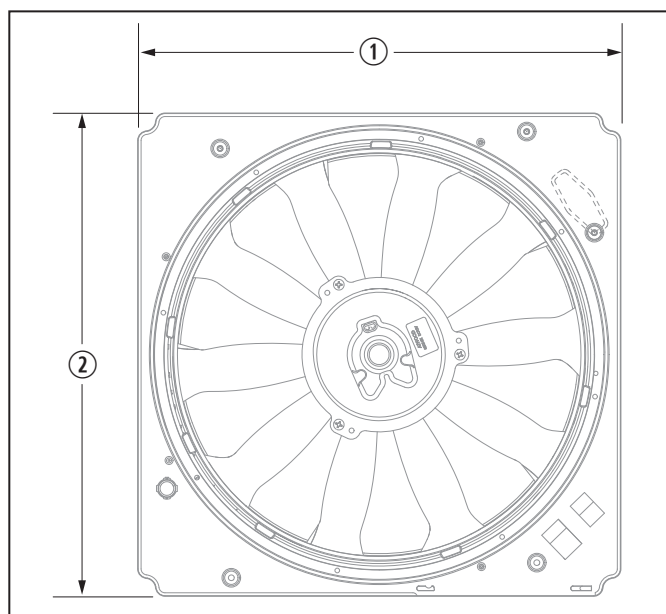
¹ Disponible en accessoire (non fourni).

Outils recommandés

Pince à sertir	Règle droite
Marqueur ou stylo	Outil à dénuder
Ruban	Couteau universel
Multimètre	Pince coupante
Tournevis/Mèche cruciforme	Mastic étanche ou mastic à joint ²
Couteau à mastiquer ou grattoir	

² Ne pas utiliser de mastic à base de silicone ou d'huile.

3.2 Dimensions du ventilateur

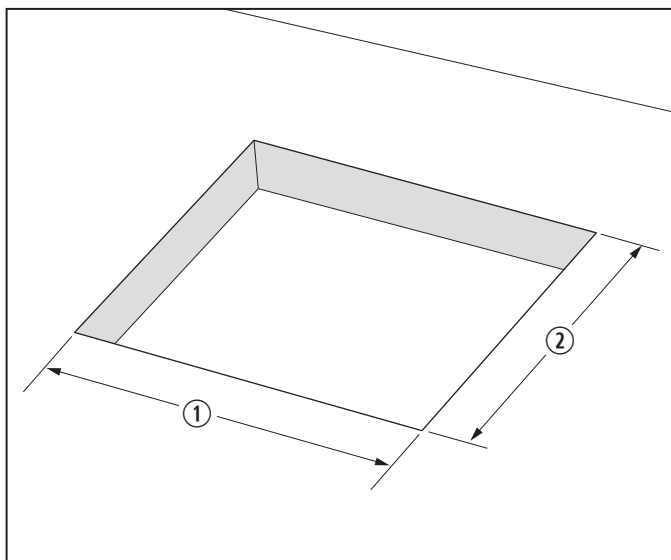


1 Dimensions du ventilateur

① 14 po (356 mm)

② 14 po (356 mm)

3.3 Dimensions de la découpe du ventilateur



2 Dimensions de la découpe du ventilateur

① 14,5 po (368 mm) ② 14,5 po (368 mm)

3.4 Dimensions de la garniture

Cette section fournit les mesures de découpe de la garniture intérieure.

Une garniture de finition standard de 6 po (152 mm) pour une installation standard sans collier de serrage est fournie avec votre ventilateur acheté au détail ou en pièce de rechange. Les toits ou les murs plus minces peuvent nécessiter une garniture différente et un type d'installation différent.

- i** Pour demander une garniture de finition pour un toit plus mince ou l'installation d'un collier de serrage de ventilateur, communiquez avec votre partenaire de services Dometic ou votre vendeur ou le service à la clientèle de Dometic.
- i** Pour les garnitures qui ne nécessitent pas de collier de serrage, utiliser des vis à tête plate n° 6A x 3/4 po (19 mm) de la même couleur que la garniture.

3.4.1 Profondeur d'ouverture : 0,9 à 1,9 po (22 à 48 mm)

Pour un toit ou un mur de 22 mm (0,9 po) à 1,9 po (48 mm) d'épaisseur, utiliser une garniture de 1,9 po (48 mm) et ajuster la taille conformément au tableau ci-dessous.

Épaisseur du toit ou du mur	Taille de garniture recommandée	Taille de garniture minimum	Taille de vis recommandée ¹	Taille de vis maximum ¹
0,9 po (22 mm)	0,9 po (22 mm)	0,5 po (13 mm)	1 1/4 po (32 mm)	1 7/8 po (48 mm)
1 po (25 mm)	1 po (25 mm)	0,8 po (19 mm)	1 1/2 po (38 mm)	2 po (51 mm)
1,3 po (32 mm)	1,3 po (32 mm)	1 po (25 mm)	1 3/4 po (45 mm)	2 1/4 po (57 mm)
1,5 po (38 mm)	1,5 po (38 mm)	1,3 po (32 mm)	2 po (51 mm)	2 1/2 po (64 mm)
1,8 po (45 mm)	1,8 po (45 mm)	1,5 po (38 mm)	2 1/4 po (57 mm)	2 3/4 po (70 mm)
1,9 po (48 mm)	1,9 po (48 mm)	1,6 po (41 mm)	2 1/4 po (57 mm)	2 3/4 po (70 mm)

¹ Ces tailles de vis recommandées concernent seulement l'installation d'un ventilateur à collier de serrage.

3.4.2 Profondeur d'ouverture : 2 à 4 po (51 à 102 mm)

Pour un toit ou un mur de 2 po (51 mm) à 4 po (102 mm) d'épaisseur, utiliser une garniture de 4,3 po (108 mm) et ajuster la taille conformément au tableau ci-dessous.

Épaisseur du toit ou du mur	Taille de garniture recommandée	Taille de garniture minimum	Taille de vis recommandée ²	Taille de vis maximum ²
2 po (51 mm)	2 po (51 mm)	1,8 po (45 mm)	2 1/2 po (64 mm)	3 po (76 mm)
2,3 po (57 mm)	2,3 po (57 mm)	2 po (51 mm)	2 3/4 po (70 mm)	3 1/4 po (83 mm)
2,5 po (64 mm)	2,5 po (64 mm)	2,3 po (57 mm)	3 po (76 mm)	3 1/2 po (89 mm)
2,8 po (70 mm)	2,8 po (70 mm)	2,5 po (64 mm)	3 1/4 po (83 mm)	3 3/4 po (95 mm)
3 po (76 mm)	3 po (76 mm)	2,8 po (70 mm)	3 1/2 po (89 mm)	4 po (102 mm)
3,3 po (83 mm)	3,3 po (83 mm)	3 po (76 mm)	3 3/4 po (95 mm)	4 1/4 po (108 mm)
3,5 po (89 mm)	3,5 po (89 mm)	3,3 po (83 mm)	4 po (102 mm)	4 1/2 po (114 mm)
3,8 po (95 mm)	3,8 po (95 mm)	3,5 po (89 mm)	4 1/4 po (108 mm)	4 3/4 po (121 mm)
4 po (102 mm)	4 po (102 mm)	3,8 po (95 mm)	4 1/2 po (114 mm)	5 po (127 mm)

² Ces tailles de vis recommandées concernent seulement l'installation d'un ventilateur à collier de serrage.

3.4.3 Profondeur d'ouverture : 4 à 6 po (102 à 152 mm)

Pour un toit ou un mur de 4 po (102 mm) à 6 po (152 mm) d'épaisseur, utiliser la garniture de 6 po (152 mm) fournie avec le ventilateur et ajuster la taille conformément au tableau ci-dessous. Utiliser des vis à tête plate PH n° 6A x 3/4 po (19 mm) de la même couleur que la garniture.

Épaisseur du toit ou du mur	Taille de garniture recommandée	Taille de garniture minimum
4 po (102 mm)	4,3 po (108 mm)	4 po (102 mm)
4,3 po (108 mm)	4,5 po (114 mm)	4,3 po (108 mm)
4,5 po (114 mm)	4,8 po (121 mm)	4,5 po (114 mm)
5 po (127 mm)	5,3 po (127 mm)	5 po (127 mm)
5,3 po (135 mm)	5,5 po (140 mm)	5 po (127 mm)
5,5 po (140 mm)	5,7 po (145 mm)	5,5 po (140 mm)
5,8 po (146 mm)	6 po (152 mm)	5,8 po (146 mm)
6 po (6,0 po)	6 po ³ (152 mm)	5,8 po (146 mm)

³ La garniture de 6 po est juste assez longue pour fournir une couverture jusqu'au bord avant du tamis.

4 Caractéristiques techniques

Cette section fournit les caractéristiques techniques opérationnelles pour le ventilateur.

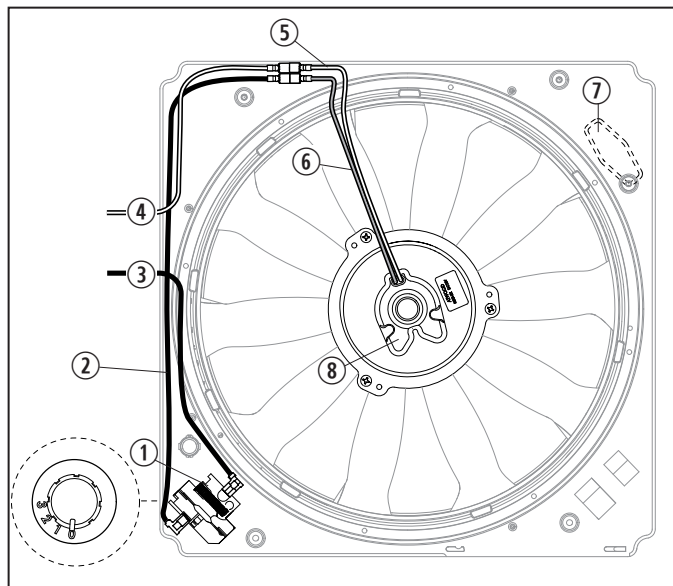
Poids	10 lb (4,5 kg)
Consommation d'énergie	36 W
Puissance	<3 A
Hauteur du ventilateur	4 po (101 mm) standard

5 Diagrammes de câblage

⚠ AVERTISSEMENT : RISQUE DE DÉCHARGE ÉLECTRIQUE.

Couper le courant avant d'effectuer toute installation électrique ou tout entretien. Le non-respect de cet avertissement pourrait entraîner de graves blessures, voire la mort.

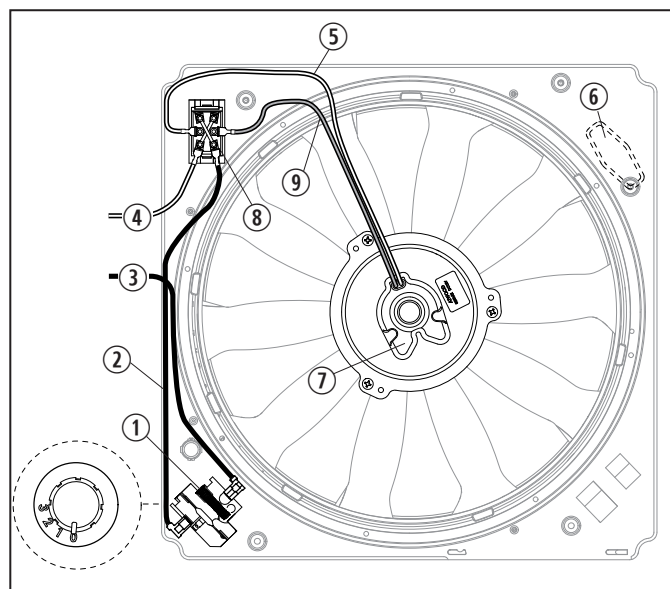
Cette section présente les branchements de câbles 12 V c.c. pour le ventilateur selon le modèle.



3 Diagramme de câblage du modèle 1400

- | | |
|-------------------------------------|--|
| ① Sélecteur 3 vitesses | ⑤ Noir (mise à la terre) |
| ② Noir (+) | ⑥ Rouge (+) |
| ③ Alimentation | ⑦ Bouton d'ouverture manuelle ¹ |
| ④ Mise à la terre de l'alimentation | ⑧ Moteur du ventilateur 12 V c.c. |

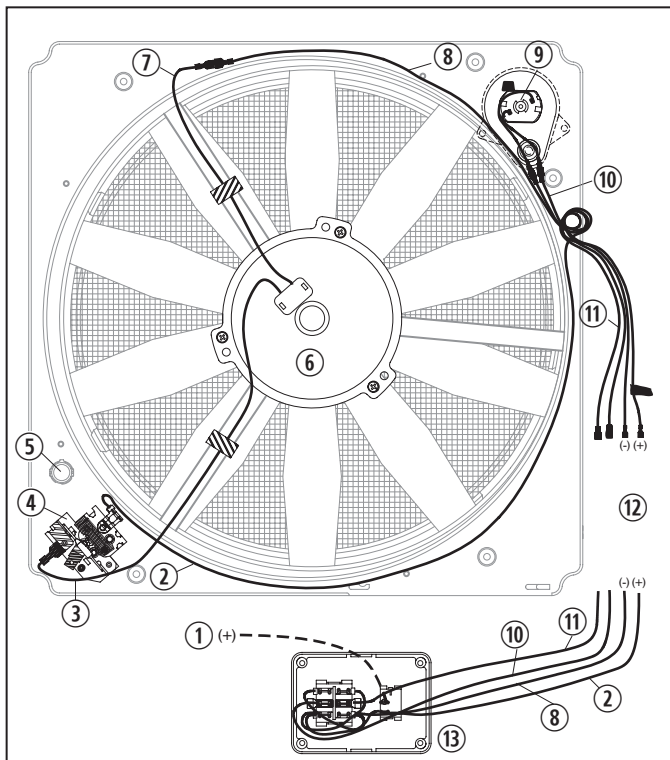
¹ Modèles 1400 et 1450 seulement



4 Diagramme de câblage du modèle 1450

- | | |
|-------------------------------------|--|
| ① Sélecteur 3 vitesses | ⑥ Bouton d'ouverture manuelle ² |
| ② Noir (+) | ⑦ Moteur du ventilateur 12 V c.c. |
| ③ Alimentation | ⑧ Sélecteur d'inversion |
| ④ Mise à la terre de l'alimentation | ⑨ Rouge (+) |
| ⑤ Noir (mise à la terre) | |

² Modèles 1400 et 1450 seulement



5 Diagramme de câblage du modèle 4100

- ① n° 18 noir (+), fil de connexion de la commande murale fourni par le client
- ② n° 16 noir (+) 12 V c.c. de la commande murale à la borne B 3 vitesses
- ③ n° 16 rouge (+) du moteur du ventilateur à la borne B du sélecteur 3 vitesses
- ④ Sélecteur 3 vitesses
- ⑤ Fiche de l'interrupteur
- ⑥ Moteur du ventilateur 12 V c.c.
- ⑦ n° 16 noir (mise à la terre) du ventilateur au noir (-) du moteur du ventilateur
- ⑧ n° 16 blanc (-) de la commande murale au blanc (-) du ventilateur
- ⑨ Moteur de levage 17 tr/min
- ⑩ n° 18 rouge de la commande murale au noir du moteur de levage 17 tr/min
- ⑪ n° 18 bleu de la commande murale au rouge du moteur de levage 17 tr/min
- ⑫ Emplacement du faisceau de câble fourni par le client
- ⑬ Câblage de l'interrupteur mural

6 Avant l'installation

⚠ AVERTISSEMENT : RISQUE DE DÉPART DE FEU OU DE DÉCHARGE ÉLECTRIQUE.
Le nonrespect de ces avertissements pourrait entraîner de graves blessures, voire la mort.

- Couper l'alimentation en gaz, couper l'alimentation de 115 V c.a. du VR et débrancher la borne positive (+) 12 V c.c. de la batterie avant de percer ou de couper dans le VR.
- S'assurer qu'il n'y a pas d'obstacle comme des fils ou des tuyaux dans le plafond du VR ou le mur extérieur.
- S'assurer de la mise à terre en conformité avec tous les codes électriques.
- Lire toute cette section avant de commencer l'installation.

Cette section décrit les préparations à effectuer avant d'installer le ventilateur.

6.1 Préparation de l'ouverture du toit ou du mur du VR

Cette section décrit la façon de préparer l'ouverture du toit ou du mur du VR.

6.1.1 Utilisation d'une ouverture de ventilateur existante

i Si le VR n'est pas muni d'un ventilateur existant, voir « ^Effectuer une nouvelle ouverture^ » à la page^ 23.

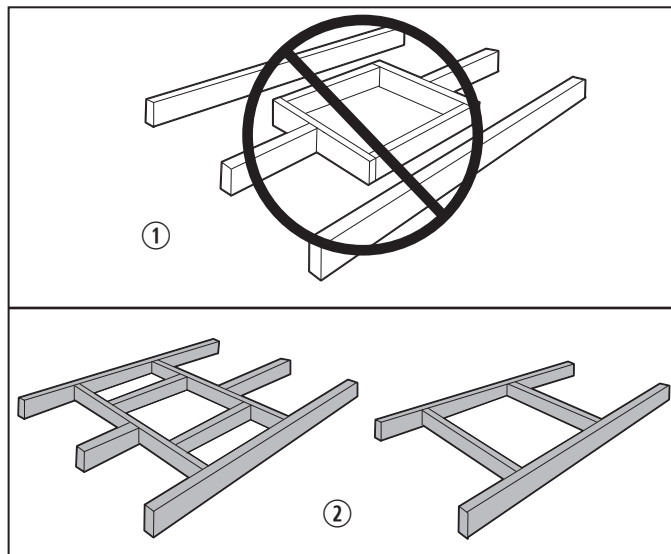
1. Couper l'alimentation en gaz, couper l'alimentation de 115 V c.a. du VR et débrancher la borne positive (+) 12 V c.c. de la batterie.
2. Dévisser et enlever le ventilateur existant.
3. Enlever tout le mastic autour de l'ouverture du toit ou du mur. Une surface propre se solde par une meilleure adhérence. Consulter le manuel d'utilisation du VR pour les recommandations de nettoyage.
4. Utiliser du mastic pour sceller les trous de vis ou les joints.

5. Mesurer l'ouverture (voir «[^]Dimensions de la découpe du ventilateur[^]» à la page[^]19). Si l'ouverture du toit est à l'intérieur des caractéristiques techniques, aller à «[^]Évaluation de la garniture[^]» à la page[^]23.
6. Si l'ouverture doit être modifiée, aller à «[^]Profondeur d'ouverture : 0,9 à 1,9 po (22 à 48 mm)[^]» à la page[^]19 :
 - Si l'ouverture est plus grande que 366 x 366 mm (14,4 x 14,4 po), il sera nécessaire de réduire la dimension de l'ouverture.
 - Si l'ouverture est plus petite que 358 x 358 mm (14,1 x 14,1 po), il sera nécessaire d'agrandir la dimension de l'ouverture.

6.1.2 Effectuer une nouvelle ouverture

i Si le toit ou le mur a déjà une ouverture de ventilateur, voir «[^]Utilisation d'une ouverture de ventilateur existante[^]» à la page[^]22.

1. Marquer soigneusement l'ouverture du requise.



6 Intégrité structurelle du toit

① Installation incorrecte ② Installation correcte

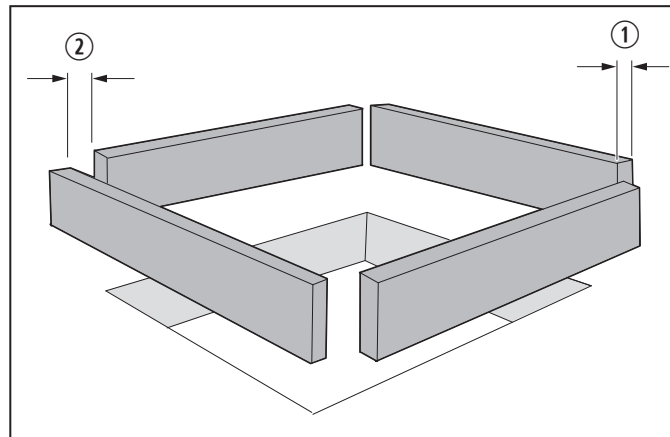
2. S'assurer que la nouvelle ouverture ne compromet pas l'intégrité structurelle du toit ou du mur.
 - Ne pas couper la structure du toit, les chevrons ou les montants du mur.
 - Les chevrons doivent toujours être soutenus par une entretoise.

- L'ouverture du toit doit être entre les chevrons ou les montants du mur.

3. Couper soigneusement l'ouverture requise.

6.1.3 Création d'un cadre pour l'ouverture du toit ou du mur

Si le toit est ondulé ou non horizontal, procéder comme suit pour créer une plate-forme horizontale ou communiquer avec un professionnel qualifié.



7 Cadre pour ouverture de toit

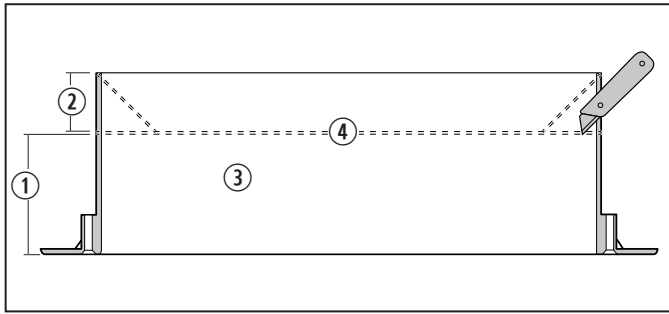
① 0,8 po
(25 mm)

② 0,3 po (6 mm) pour le
câblage d'alimentation

1. Construire un cadre pour l'ouverture du ventilateur afin de fournir une plate-forme horizontale pour attacher la bride de fixation au toit.
2. Laisser un trou pour le passage du câblage d'alimentation.

6.2 Évaluation de la garniture

1. Déterminer la longueur, la largeur et l'épaisseur ou la profondeur de l'ouverture du toit ou du mur dans laquelle sera installé le nouveau ventilateur.
2. Confirmer que la garniture est adaptée à la profondeur de l'ouverture. Voir «[^]Dimensions de la garniture[^]» à la page[^]19.



8 Modification de la taille de la garniture

- ① Hauteur de garniture requise
- ② Longueur de garniture à enlever
- ③ Garniture
- ④ Lignes incisées

3. Utiliser un couteau universel pour couper la garniture de finition à la bonne hauteur, si nécessaire.
 - a. Utiliser une règle et un stylo pour marquer horizontalement les quatre côtés à partir du bord supérieur. Inciser les lignes tracées.
 - b. Couper à partir du bord supérieur des coins à un angle de 45 degrés jusqu'au trait incisé, puis casser le plastique excédentaire de la garniture de finition.

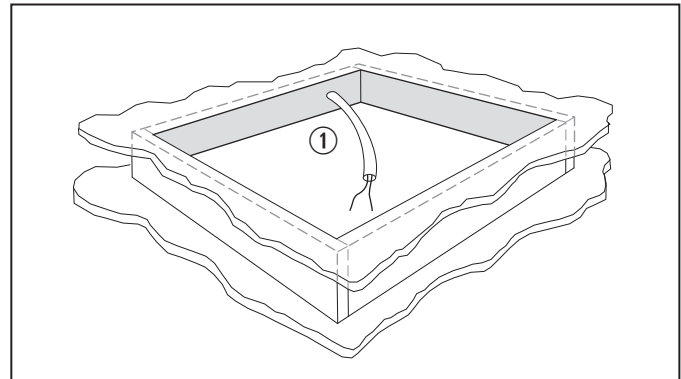
6.3 Branchement du ventilateur sur l'alimentation

i S'il s'agit du remplacement d'un ventilateur, utiliser le câblage existant uniquement s'il est conforme aux exigences de câblage 16 AWG et d'emplacement de la Recreation Vehicle Industry Association.

Cette section décrit le branchement du ventilateur sur du 12 V c.c.

1. Localiser le câblage d'alimentation 12 V c.c. le plus près.
2. Pour éviter de griller le fusible, tester la polarité du câblage d'alimentation.
 - a. Activer l'alimentation 12 V c.c. ou la batterie.
 - b. Mettre le conducteur rouge du multimètre en contact avec la source positive. En même temps, toucher le fil neutre ou négatif avec le conducteur noir.
 - Une polarité correcte affichera +12 V minimum.

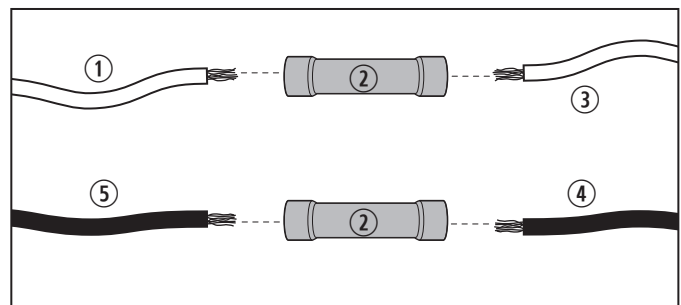
- Si la polarité est incorrecte, le multimètre affichera -12 V minimum.
- c. Désactiver l'alimentation 12 V c.c. ou la batterie.



9 Alimentation à l'ouverture du toit

- ① 6 po (152 mm) minimum

3. Acheminer le câblage jusqu'à l'ouverture du toit ou du mur. Ajouter 15 po (381 mm) de fil pour faciliter le branchement au ventilateur.



10 Branchement du câblage du ventilateur sur le câblage de l'alimentation

- ① Fil blanc du ventilateur (neutre ou mise à terre)
- ② Connecteur d'extrémités
- ③ Câblage d'alimentation (neutre ou de mise à terre)
- ④ Câblage d'alimentation (positif ou à fusible)
- ⑤ Fil noir du ventilateur (positif ou à fusible)

4. Utiliser les connecteurs pour connecter :
 - a. le fil noir du ventilateur au fil d'alimentation 12 V c.c. positif.
 - b. le fil blanc du ventilateur au fil neutre ou de mise à terre.
5. Sertir les extrémités du connecteur pour sécuriser le branchement.

7 Montage

⚠ AVERTISSEMENT : RISQUE DE DÉCHARGE ÉLECTRIQUE.

Couper le courant avant d'effectuer toute installation électrique ou tout entretien. Le non-respect de cet avertissement pourrait entraîner de graves blessures, voire la mort.

AVIS : **Toujours** utiliser du mastic sur les pièces et les surfaces (propres) aux points où les fils ou les attaches entrent dans les murs, le toit ou le plancher du VR. Sinon, des dommages causés par l'eau pourraient se produire.

i Le mastic utilisé, le cas échéant, doit être du type compatible avec l'EPDM, pour les toits en caoutchouc.

Cette section fournit les renseignements pour installer le ventilateur, la garniture et la connexion de l'alimentation.

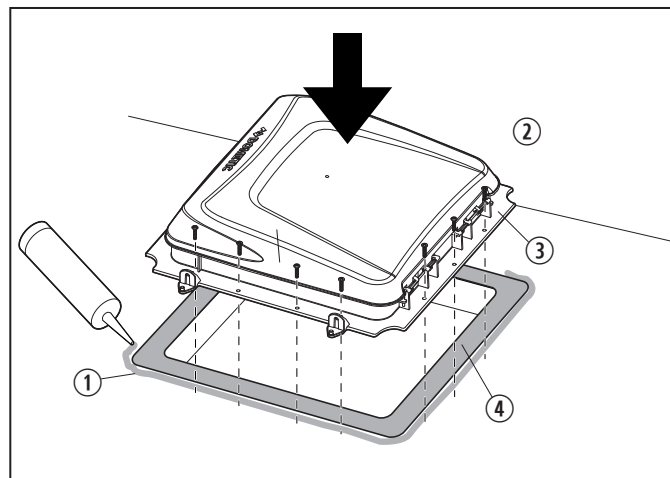
7.1 Installation du ventilateur

Cette section décrit les deux options d'installation du ventilateur.

- Une installation de type montage du ventilateur est la méthode standard recommandée pour la plupart des ventilateurs. Voir « ^Profondeur d'ouverture : 0,9 à 1,9 po (22 à 48 mm)^ » à la page^19.
- Un montage du type ventilateur à collier de serrage est recommandé uniquement pour un toit ou un mur de moins de 4 po (102 mm) d'épaisseur et sans substrat solide capable de supporter l'installation des vis de toit. Voir « ^Profondeur d'ouverture : 0,9 à 1,9 po (22 à 48 mm)^ » à la page^19.
- Confirmer que la hauteur de garniture est correcte pour l'épaisseur du toit ou du mur. Voir « ^Dimensions de la garniture^ » à la page^19.

7.1.1 Montage du ventilateur

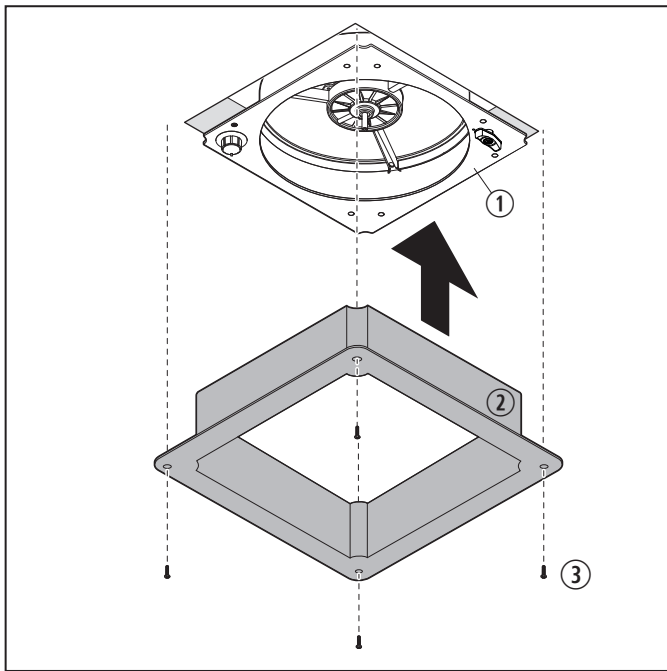
Cette section décrit l'installation d'un ventilateur par la méthode de montage du ventilateur.



11 Emplacement du ventilateur

- | | |
|---|---------|
| ① Mastic | ③ Bride |
| ② Vis de zinc PHPH T/S
n° 8 x 1 po (25 mm) | ④ Joint |

1. Appliquer sur l'extérieur de l'ouverture un mastic, ou placer un joint sur l'ouverture et appliquer le mastic autour du bord extérieur du joint.
 - i** Ne pas placer de mastic sur le dessus ou le dessous du joint.
2. Positionner le ventilateur sur l'ouverture en s'assurant que le mastic et/ou le joint est pris en sandwich entre le dessous de la bride d'installation et l'ouverture du toit.
 - Lors du positionnement du ventilateur sur le toit, le couvercle de la charnière devrait être le plus près du devant du VR et aligné avec ce dernier.
 - Si le ventilateur est positionné sur le côté du VR (verticalement), la charnière du couvercle doit être la partie la plus près de la ligne de toit et parallèle à celle-ci.
3. Utiliser les vis pour fixer le ventilateur au VR.
 - i** Serrer toutes les vis également et ne pas trop serrer.
4. Appliquer un mastic sur les têtes de vis et à la bride de fixation, au point de contact du toit ou du côté.



12 Fixation de la garniture pour un montage de ventilateur

- ① Ventilateur
- ② Garniture de finition
- ③ Vis

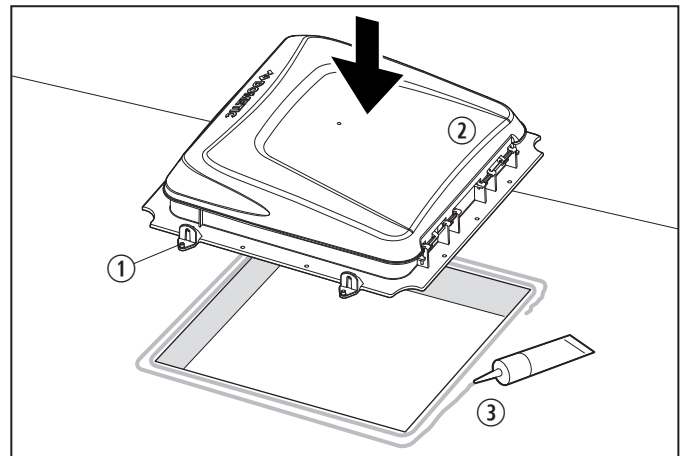
5. De l'intérieur du VR, fixer la garniture au toit en utilisant la vis appropriée pour la dimension de la garniture. Voir « ^Dimensions de la garniture^ » à la page^19.

i Serrer toutes les vis également et ne pas trop serrer.

7.1.2 Montage du type ventilateur à collier de serrage

Cette section décrit l'installation d'un ventilateur par la méthode de montage du type ventilateur à collier de serrage.

Certains sont disponibles dans une configuration « ventilateur à collier de serrage » pour les ouvertures de toit ou de mur d'une épaisseur inférieure à 4 po (102 mm). La garniture plus petite pour un montage du type ventilateur à collier de serrage est destinée à la fixation du ventilateur avec des vis dans la base du ventilateur depuis l'intérieur du VR et la garniture de la découpe.



13 Montage du type ventilateur à collier de serrage

- ① Bride
- ② Charnière du ventilateur
- ③ Mastic

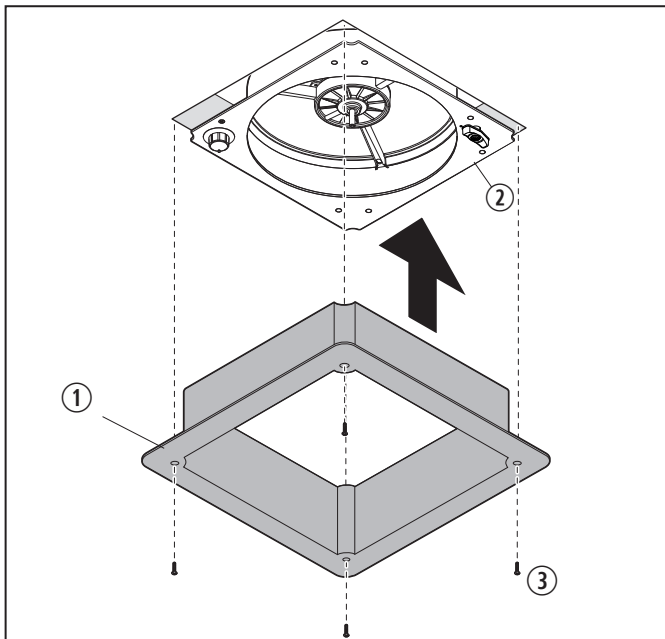
1. Appliquer deux rubans de mastic à l'extérieur autour de l'ouverture du toit ou du mur.

i Ne pas utiliser de mastic, butyle ou joint pour les montages du type ventilateur à collier de serrage.

2. Placer le ventilateur sur le mastic et appuyer vers le bas.

3. Appliquer du mastic sur les trous de vis et à la bride de fixation, au point de contact du toit ou du côté.

i Ne pas appliquer de mastic sur les trous de vis et la bride pourrait entraîner des dommages causés par l'eau.



14 Fixation de la garniture pour un montage du type ventilateur à collier de serrage

- ① Garniture de finition ③ Vis
② Base du ventilateur

4. De l'intérieur du VR, fixer la garniture au toit en utilisant la vis appropriée pour la dimension de la garniture. Voir « ^Dimensions de la garniture^ » à la page ^19.

i Serrer toutes les vis également et ne pas trop serrer.

8 Fonctionnement

AVIS: **Ne pas** laisser le couvercle ouvert et sans surveillance pendant des périodes prolongées. Des coups de vent ou d'autres conditions inhabituelles peuvent entraîner des fuites et/ou des dommages graves. L'utilisation du ventilateur lorsque la météo est

défavorable ou autres conditions non propices peut causer des dommages matériels.

i La source de débit d'air est déterminée par les fenêtres ou les portes ouvertes. Pour de meilleurs résultats, fermer tous les événements de toit et ouvrir une fenêtre ou une porte en partie qui est à la distance la plus éloignée du ventilateur.

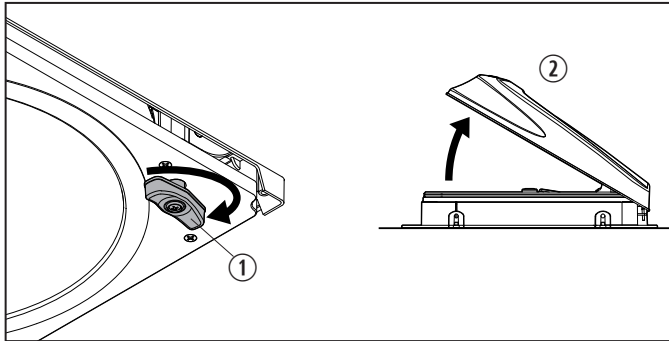
Cette section comprend des renseignements concernant le fonctionnement du ventilateur selon le modèle.

Commandes du ventilateur

Modèle	Commande	Fonction
Tout	Vitesse du ventilateur 0	Met le moteur du ventilateur à l'arrêt
Tout	Vitesse du ventilateur 1	Vitesse basse du ventilateur
Tout	Vitesse du ventilateur 2	Vitesse moyenne du ventilateur
Tout	Vitesse du ventilateur 3	Vitesse rapide du ventilateur
4100	RAISE (lever)	Ouvre le couvercle
4100	LOWER (baisser)	Ferme le couvercle
4100	FAN ON (VENTILATEUR EN MARCHÉ)	Met le moteur du ventilateur en marche
4100	FAN OFF (VENTILATEUR À L'ARRÊT)	Met le moteur du ventilateur à l'arrêt
1450	IN ¹ (À L'INTÉRIEUR)	Fait entrer l'air dans le VR à partir du plafond et pressurise efficacement le VR si toutes les fenêtres, portes et autres événements sont fermés.
Tout	OUT ¹ (À L'EXTÉRIEUR)	(mode Évacuation) aspire l'air frais par une fenêtre ou une porte légèrement ouverte tout en expulsant l'air vicié poussiéreux et chaud par la zone du toit.

¹ Disponible seulement si un sélecteur d'inversion est installé..

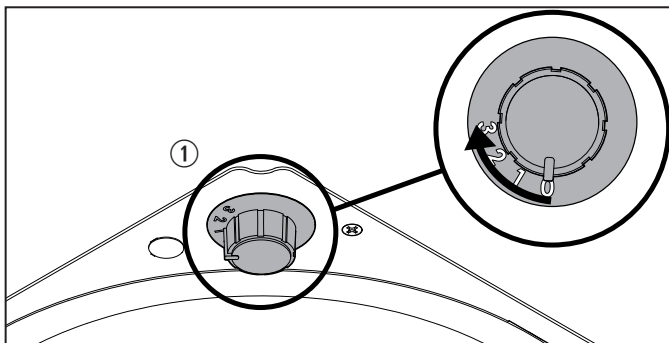
8.1 Utilisation des modèles de ventilateur 1400 ou 1450



15 Ouvrir le couvercle

- ① Bouton ② Couvercle

1. Ouvrir une fenêtre ou une porte pour créer un débit d'air.
2. Tourner le bouton pour ouvrir le couvercle.



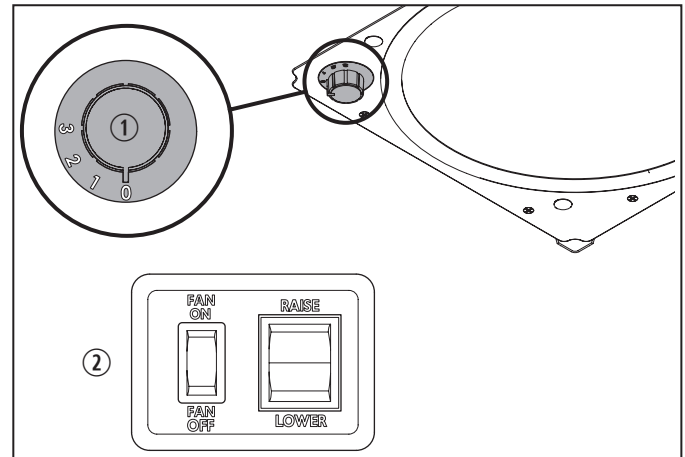
16 Sélection de vitesse du ventilateur

- ① Sélecteur de vitesse du ventilateur

3. Faire fonctionner le ventilateur en tournant le sélecteur de vitesse à la vitesse désirée. Voir « ^Commandes du ventilateur^ » à la page ^27.
- i** Régler le sélecteur de vitesse du ventilateur à 0 pour mettre le ventilateur à l'arrêt.

8.2 Mode l'emploi du modèle de ventilateur 4100

AVIS : Continuer à appuyer sur l'interrupteur RAISE (lever) ou LOWER (baisser) après que le couvercle est totalement ouvert ou totalement fermé entraînera des dommages au système d'ouverture.



17 Commandes du modèle 4100

- ① Sélecteur de vitesse ② Commande murale du ventilateur

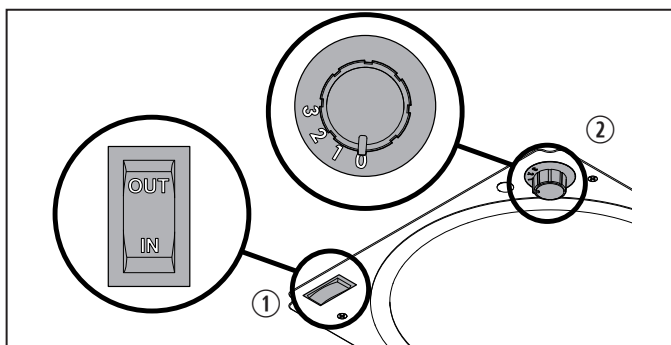
1. Ouvrir une fenêtre ou une porte pour créer un débit d'air.
 2. Choisir une vitesse sur le sélecteur de vitesse du ventilateur. Voir « ^Commandes du ventilateur^ » à la page ^27.
 3. Si le ventilateur est muni d'un interrupteur d'inversion du moteur, sélectionner OUT ou IN. Voir « ^Reconnaître les consignes de sécurité^ » à la page ^16.
- i** Pendant que le couvercle s'ouvre et atteint environ 4 po (102 mm), le ventilateur se met en marche à la vitesse sélectionnée.
4. Sur la commande murale, appuyer sur l'interrupteur RAISE ou LOWER jusqu'à ce que le couvercle soit à la position souhaitée puis relâcher l'interrupteur.

i Une fois le couvercle complètement fermé ou complètement ouvert, le moteur d'ouverture du dôme cale; relâcher **immédiatement** le pavé tactile!

5. Mettre le ventilateur en marche en appuyant sur l'interrupteur FAN ON.

i Régler le sélecteur de vitesse du ventilateur à 0 pour mettre le ventilateur à l'arrêt.

8.3 Réglage de la direction du débit d'air à l'aide de l'interrupteur d'inversion du moteur du ventilateur



18 Sélecteur de vitesse du ventilateur avec sélecteur d'inversion

① Sélecteur d'inversion du moteur du ventilateur ② Sélecteur de vitesse du ventilateur

1. Pour inverser le moteur du ventilateur pendant que le système est en marche, mettre le sélecteur de vitesse à 0 et attendre que les pales du ventilateur arrêtent complètement.

2. Appuyer sur l'interrupteur IN ou OUT et redémarrer le ventilateur à la vitesse souhaitée.

i Changer le sélecteur de vitesse à 0 ou mettre le sélecteur d'inversion du moteur du ventilateur à la position centrale mettra le ventilateur à l'arrêt.

9 Maintenance

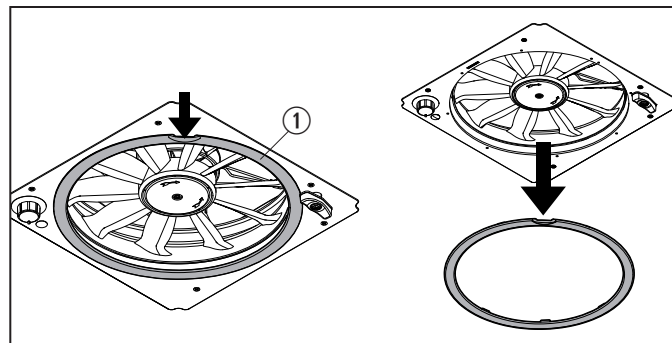
⚠ AVERTISSEMENT : RISQUE DE DÉCHARGE ÉLECTRIQUE, DE DÉPART DE FEU ET/OU D'EXPLOSION.

Toujours débrancher l'appareil de l'alimentation avant un nettoyage et/ou une maintenance. La maintenance doit être confiée à un agent technique qualifié. Le non-respect de cet avertissement pourrait entraîner de graves blessures, voire la mort.

Les instructions de maintenance et de nettoyage fournies dans cette section doivent selon les indications, ou en fonction des besoins selon l'utilisation de l'appareil. Le défaut d'entretenir correctement l'appareil pourrait causer l'annulation de la garantie et entraîner un fonctionnement dangereux. L'entretien préventif n'est pas couvert par la garantie.

9.1 Nettoyage du ventilateur

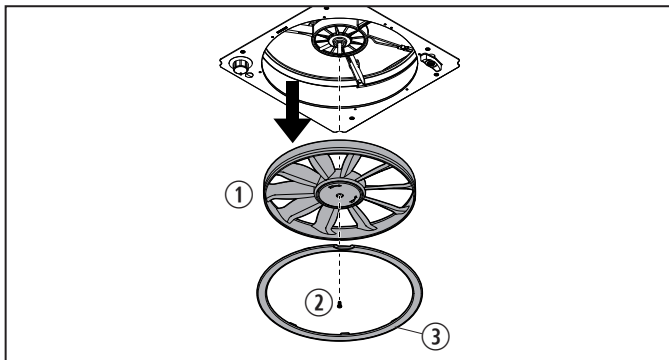
i Nettoyer avec du nettoyant à fenêtre ou un savon à vaisselle non abrasif et de l'eau chaude. Pour une protection supplémentaire contre les insectes et les débris, un écran Pop N' Lock peut être installé sur le côté du dessus de la base du ventilateur. L'écran Pop N' Lock et les pales du ventilateur peuvent aller dans le panier du haut du lave-vaisselle.



19 Retrait du Pop N' Lock

① Pop N' Lock

1. Nettoyer le Pop N' Lock et les pales du ventilateur.



20 Désassemblage du ventilateur

- ① Pale du ventilateur ③ Pop N' Lock
- ② Vis

2. Retirer la vis qui retient la pale du ventilateur.
3. Répéter ces étapes dans l'ordre inverse pour réinstaller le ventilateur.

10 Élimination



Placer les matériaux d'emballage dans les bacs de recyclage appropriés, si possible. Consulter un centre de recyclage local ou un revendeur spécialisé pour en savoir plus sur l'élimination du produit conformément à toutes les réglementations nationales et locales applicables.

GARANTIE LIMITÉE DE DEUX ANS

GARANTIE LIMITÉE DE DEUX ANS DISPONIBLE À DOMETIC.COM/EN-US/TERMS-AND-CONDITIONS-CONSUMER/WARRANTY.

POUR TOUTE QUESTION OU POUR OBTENIR UNE COPIE GRATUITE DE LA GARANTIE LIMITÉE, CONTACTER :

DOMETIC CORPORATION
 CUSTOMER SUPPORT CENTER
 5155 VERDANT DRIVE
 ELKHART, INDIANA, 46516
 800 544-4881

dometic.com

CONTACT US

dometic.com/en-us/terms-and-conditions-consumer/contact-us
